

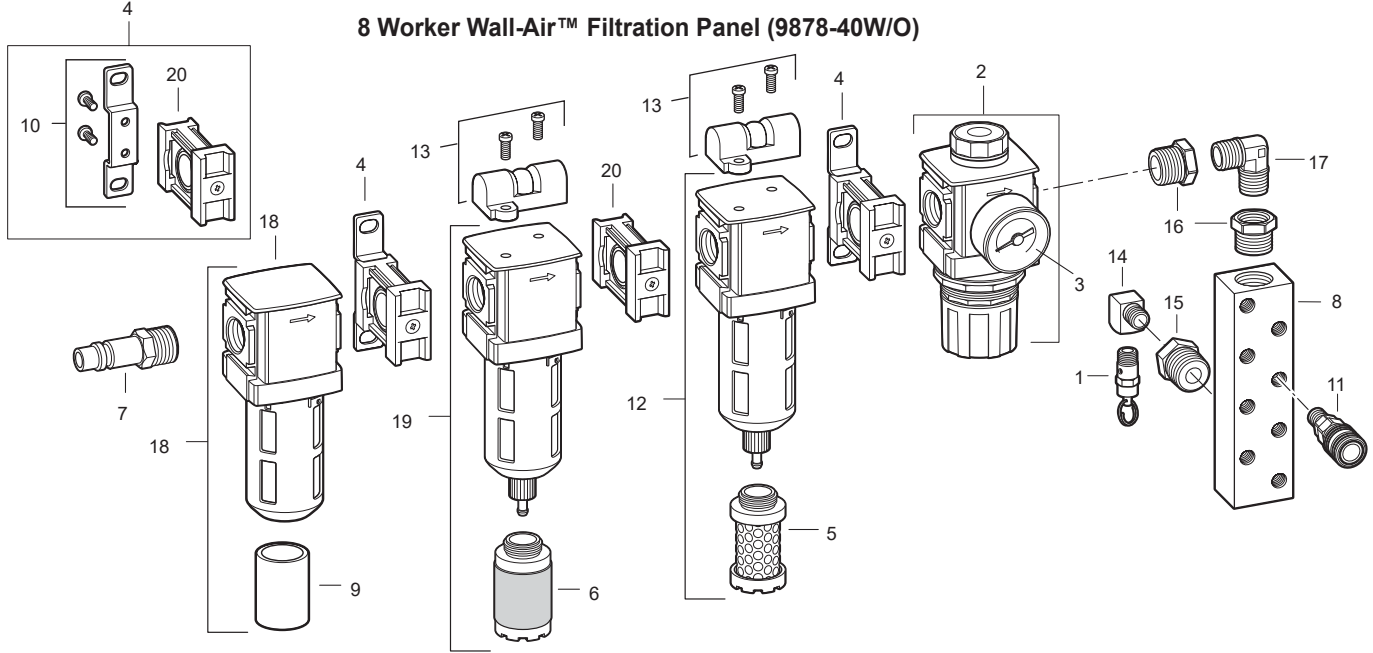


**PRODUCT:**

**BREATHING AIR FILTRATION PANELS  
(8 WORKERS)**

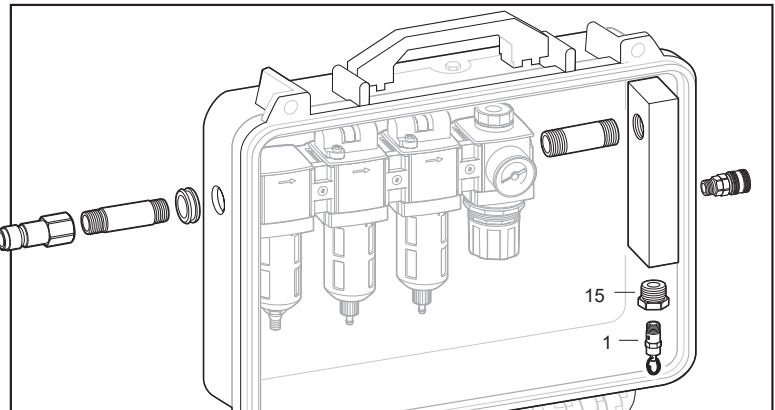
**PART NUMBER:**

**9878-W/O (CARRY-AIR™ W/O CO MONITOR)  
9878-40W/O (WALL-AIR™ W/O CO MONITOR)**



**8 Worker Wall-Air™ Filtration Panel (9878-40W/O)**

**8 Worker Carry-Air™ (9878W/O)**  
(See following page for Part Numbers and Descriptions)



KEY	PART #	DESCRIPTION	KEY	PART #	DESCRIPTION	KEY	PART #	DESCRIPTION
	9878-W/O	8 Worker Carry-Air™ w/o CO	7	9878-14	Plug, Hansen	15	9000-28	Chrome Hex Bushing
	9878-40W/O	8 Worker Wall-Air™ w/o CO	8	9878-10	Manifold Block	16	9878-15	Bushing
1	9875-09	Relief Valve	9	9878-31	5 Micron Filter Element	17	9878-16	Union Elbow
2	9878-06	Regulator w/gauge	10	9872-64	T-Bracket	18	9878-03	1st Stage Pre-Filter Assembly
3	9875-08	Gauge	11		Coupler (See Coupler Page)	19	9878-04	2nd Stage Coalescing Filter
4	9860-41	Joiner Set (w/ Bracket)	12	9878-05	3rd Stage Carbon Filter Ass.	20	9872-07	Joiner Set (w/o Bracket)
5	9878-33	.003 Micron Filter Element Kit	13	9875-46A	Indicator		9878-50	Filter Replacement Kit (Includes 5, 6, 9(x2))
6	9878-32	.01 Micron Filter Element	14	9879-09	Street Elbow			