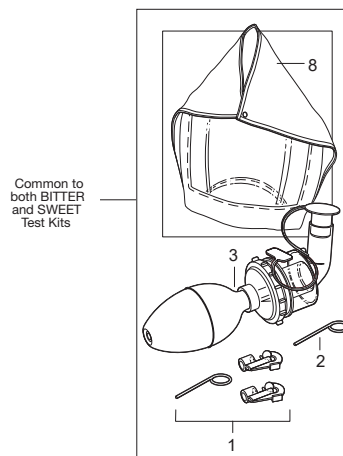
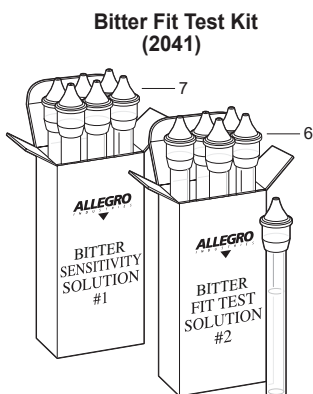
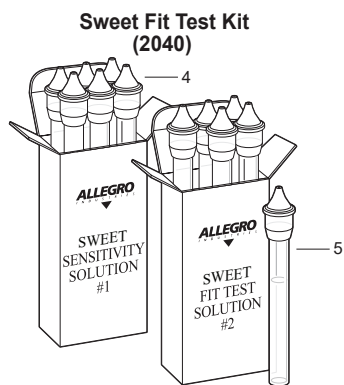
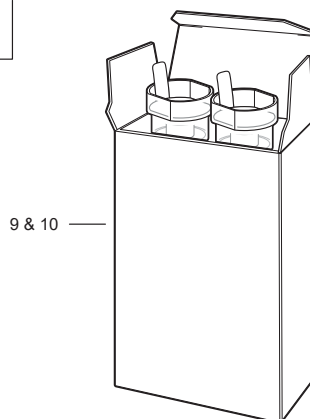
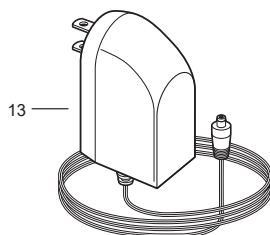
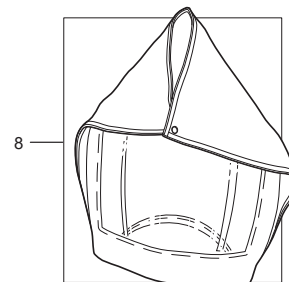
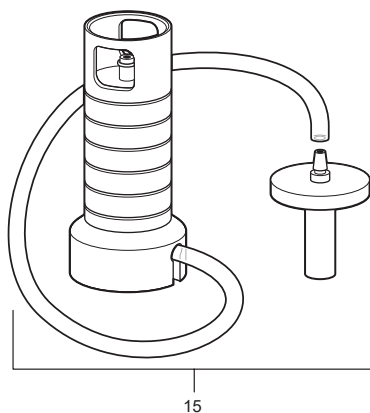
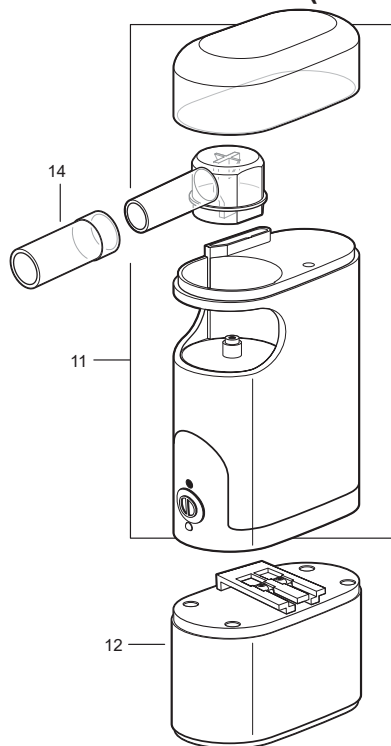




<b>PRODUCT:</b>	<b>SWEET &amp; BITTER FIT TEST KITS</b>
<b>PART NUMBER:</b>	<b>2040 (SWEET FIT TEST KIT)</b> <b>2041 (BITTER FIT TEST KIT)</b> <b>2040-DLX (DELUXE SWEET FIT TEST KIT) - DISC.</b> <b>2041-DLX (DELUXE BITTER FIT TEST KIT) - DISC.</b>



**DELUXE BITTER (2041-DLX) and DELUXE SWEET FIT TEST KIT (2040-DLX)**



KEY	PART #	DESCRIPTION	KEY	PART #	DESCRIPTION	KEY	PART #	DESCRIPTION
	2040	Sweet (Saccharin) Test Kit	5	2040-12K	Sweet Fit Test Solution (6/Box)	11	2040-15	Deluxe Kit Auto Pump
	2041	Bitter (Denatonium Benzoate Test Kit)	6	2041-11K	Bitter Sensitivity Solution (6/Box)	12	2040-16	Deluxe Kit Battery
	2040-DLX	Deluxe Sweet Fit Test Kit (DISC.)	7	2041-12K	Bitter Fit Test Solution (6/Box)	13	2040-17	Deluxe Kit AC Power Supply
	2041-DLX	Deluxe Bitter Fit Test Kit (DISC.)	8	2040-04	Test Hood (Use w/ Sweet & Bitter)	14	2040-18	Deluxe Kit Plastic Elbow
1	2040-09	Nozzle (Blue) Kit (Includes 2 nozzles, 1 cleaning tool)	9	2040-11KD	Deluxe Sweet Sensitivity Solution (8/Box)	15	2040-19	Deluxe Kit Remote Hand Nebulizer
2	2040-80	Cleaning Tool		2040-12KD	Deluxe Sweet Fit Test Solution (8/Box)			
3	2040-08N	Fit Test Nebulizer (Includes Sensitivity and Test Solution Labels)	10	2041-11KD	Deluxe Bitter Sensitivity Solution (8/Box)			
4	2040-11K	Sweet Sensitivity Solution (6/Box)		2041-12KD	Deluxe Bitter Test Solution (8/Box)			