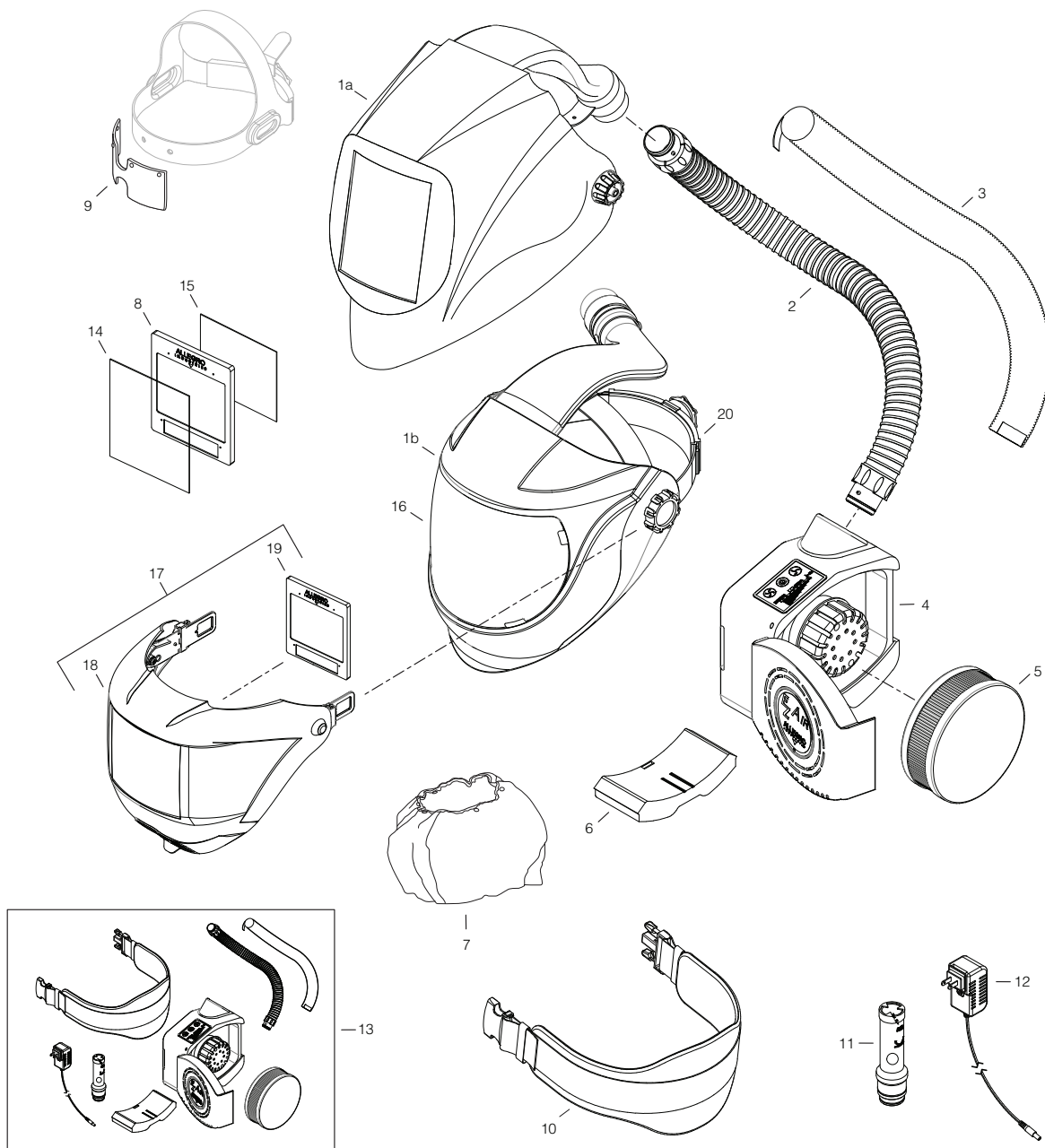




PRODUCT: **EZ AIR PAPRS**

PART NUMBER: **9935 (ECONOMY)**
9935-DLX (DELUXE)
9937-G (FLEX SHIELD)
9937-WADF (FLEX GRINDING/WELDING)



KEY	PART #	DESCRIPTION	KEY	PART #	DESCRIPTION	KEY	PART #	DESCRIPTION
	9935	EZ Air Economy PAPR (Full Assembly with X54V ADF Lens)	3	9935-BTFR	Breathing Tube FR Cover	11	9935-AIF	Air Flow Indicator
	9935-DLX	EZ Air Deluxe PAPR (Full Assembly with X81V ADF Lens)	4	9935-BLW02	Blower	12	9933-CHG	Battery Charger
	9937-G	EZ Air Flex Shield (Full Assembly)	5	9935-FIL	HEPA Filter (1 each)	13	9935-BLW	PAPR Assembly w/o Headtop
	9937-WADF	EZ Air Flex Grinding/Welding PAPR (Full Assembly)	6	9933-BAT	Battery	14	9935-54810CP	Outer Cover Lens (10/Pkg.)
1a	9935-BHTX54V	Economy Welding Shield w/ X54V Lens	7	9935-HFS	Neck Shroud (For 9935 Series)	15	9935-54811CP	Inner Cover Lens (5/Pkg.)
	9935-BHTX81V	Deluxe Welding Shield w/ X81V Lens		9935-HFS	Neck Shroud (For 9937)	16	9937-GV	Replacement Lens (2/Pkg.)
1b	9937-BHTG	EZ Air Flex Shield	8	9935-X54V	Replacement X54V ADF Lens Kit	17	9937-AFFADF	Replacement Flip Front w/ ADF Lens
2	9935-BT	Breathing Tube w/o FR Cover		9935-X81V	Replacement XP81V ADF Lens Kit	18	9937-AFF	Replacement Flip Front
			9	9935-SWB	Replacement Sweat Band (2/Pkg.)	19	9904-36B	Replacement ADF Lens
			10	9935-WBT	FR Waist Belt	20	9936-15HG	Head Suspension