

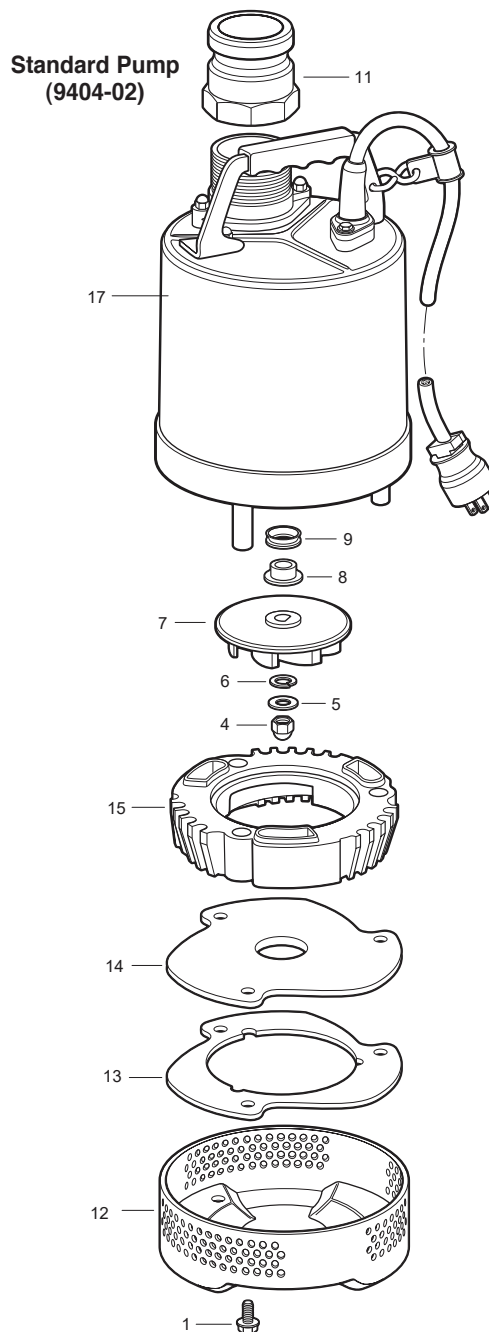
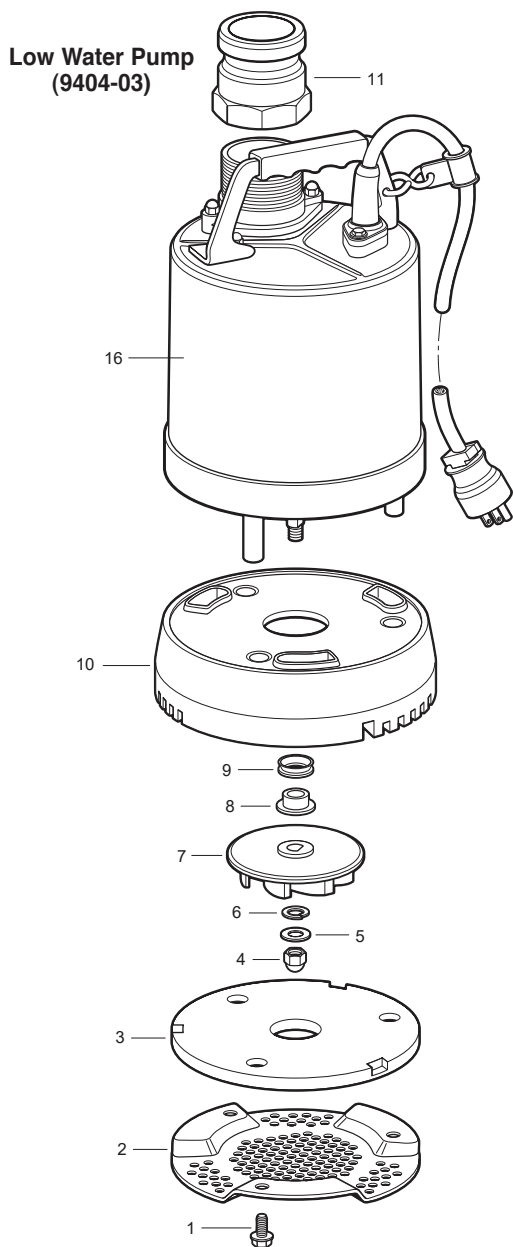


PRODUCT:

LOW WATER AND STANDARD DEWATERING PUMPS

PART NUMBER:

**9404-02 (STANDARD)
9404-03 (LOW WATER) - DISCONTINUED**



| KEY | PART # | DESCRIPTION | KEY | PART # | DESCRIPTION | KEY | PART # | DESCRIPTION |
|-----|---------|-------------------------------|-----|---------|----------------|--------------------------------|----------------------------|--------------------------------|
| | 9404-02 | Standard Pump | 6 | 9405-20 | Plain Washer | 13 | 9404-22 | Suction Plate |
| | 9404-03 | Low Water Pump (DISCONTINUED) | 7 | 9404-21 | Impeller | 14 | 9405-22 | Suction Cover |
| 1 | 9404-27 | Hex Bolt w/Washer | 8 | 9404-25 | Shaft Sleeve | 15 | 9405-23 | Pump Casting |
| 2 | 9404-32 | Strainer | 9 | 9404-26 | V-Ring | 16 | 9404-03A | Low Water Pump Base |
| 3 | 9404-31 | Suction Cover | 10 | 9404-34 | Pump Casting | 17 | 9404-02A | Standard Sub. Pump 2/3 hp Base |
| 4 | 9404-28 | Hex Cap Nut | 11 | 9404-10 | Hose Adapter | Accessories (Not Shown) | | |
| 5 | 9404-29 | Spring Washer | 12 | 9405-21 | Strainer Stand | 9404-50 | Dewatering Pump Hose (50') | |