

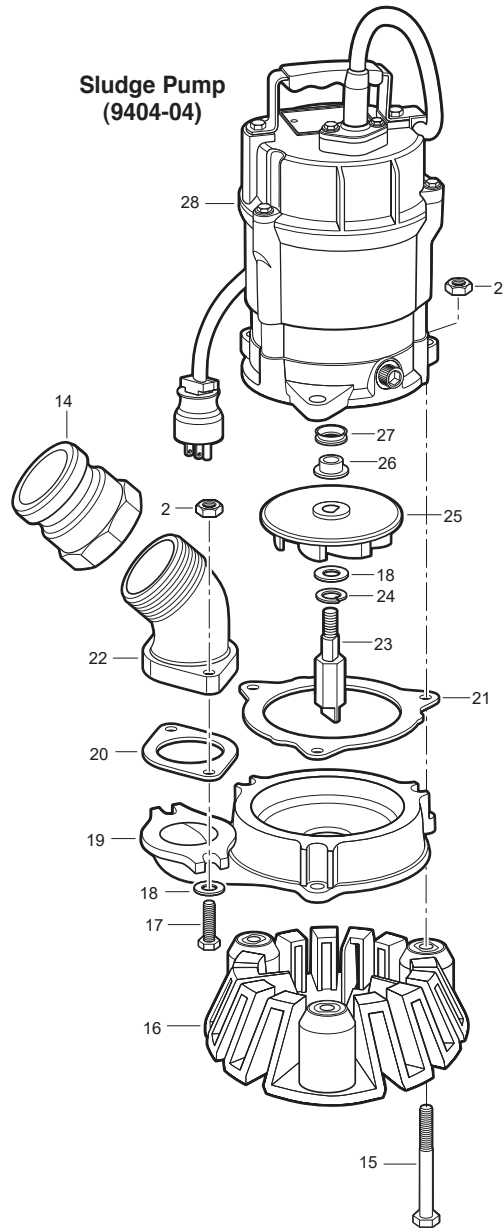
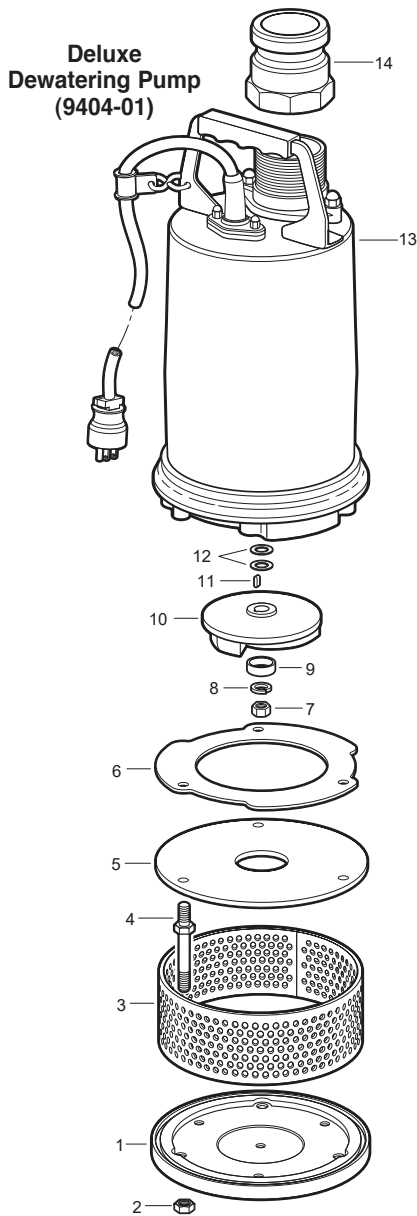


**PRODUCT:**

**DELUXE DEWATERING AND SLUDGE PUMPS**

**PART NUMBER:**

**9404-01 (DELUXE DEWATERING PUMP) - DISC.  
9404-04 (SLUDGE PUMP)**



KEY	PART #	DESCRIPTION	KEY	PART #	DESCRIPTION	KEY	PART #	DESCRIPTION
	<b>9404-01</b>	<b>Deluxe Dewatering Pump (DISCONTINUED)</b>	9	9405-12	Impeller Protective Cover	20	9404-44	Pump Gasket
	<b>9404-04</b>	<b>Sludge Pump</b>	10	9404-11	Impeller	21	9404-46	Packing Gasket
1	9404-17	Bottom Plate	11	9405-13	Impeller Shim	22	9404-45	Hose Coupling
2	9405-14	Hex Nut	12	9404-16	Oil Seal	23	9404-47	Stirrer
3	9404-18	Strainer	13	9404-01A	Deluxe Sub. Pump 1 hp Base	24	9404-29	Spring Washer
4	9404-19	Stud Bolt	14	9404-10	Hose Adapter	25	9404-48	Impeller
5	9404-12	Suction Cover	15	9404-40	Hex Bolt	26	9404-49	Shaft Sleeve
6	9404-13	Packing	16	9404-41	Strainer Stand	27	9405-41	Mechanical Sleeve
7	9405-10	Hex Nut	17	9404-42	Hex Bolt	28	9404-04A	Sludge Pump Base
8	9405-11	Spring Washer	18	9405-20	Plain Washer			<b>Accessories (Not Shown)</b>
			19	9404-43	Pump Casing		9404-50	Dewatering Pump Hose (50')