

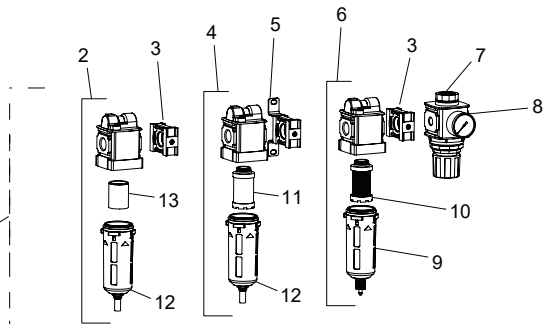
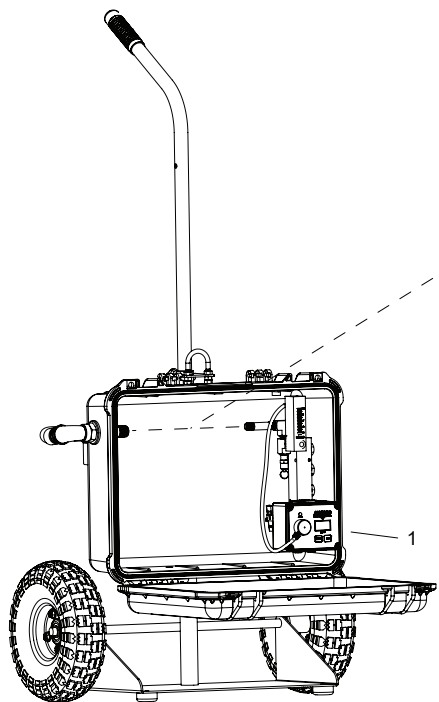


PRODUCT:

**BREATHING AIR FILTRATION PANEL
CARTS**

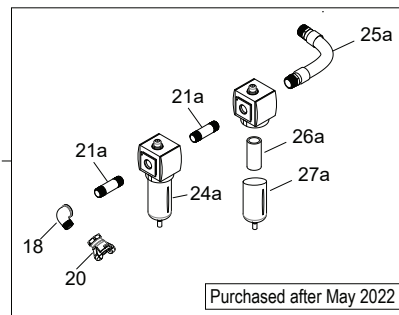
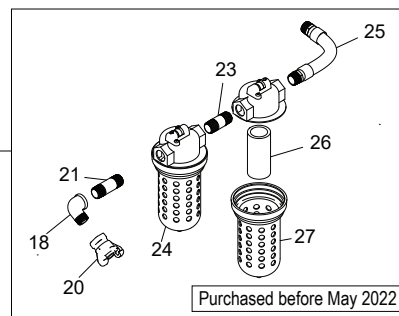
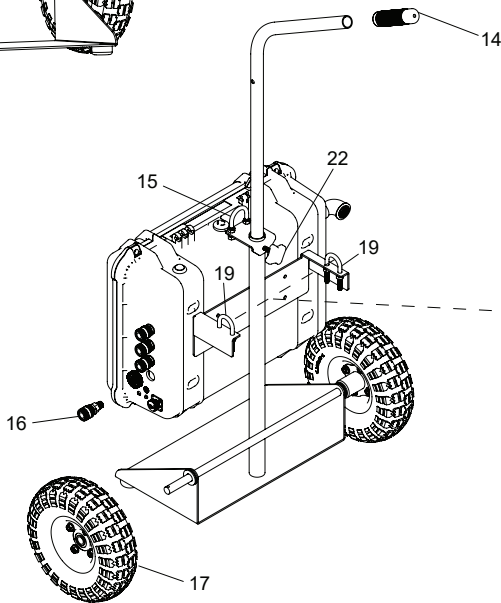
PART NUMBER:

**9874-EFC (4 WORKER)
9878-EFC (8 WORKER)**



For a complete parts listing of either filtration panel attached to the cart, please refer to the following pages:

9874-EFC ⇒ [9875](#) 9878-EFC ⇒ [9878](#)



KEY	PART #	DESCRIPTION	KEY	PART #	DESCRIPTION	KEY	PART #	DESCRIPTION
	9874-EFC	4 Worker Air Filtration Panel Cart	10	9872-33	Carry Air, Stage 3 Filter	21	9878-11	Brass Nipple (3/4" x 3")
	9878-EFC	8 Worker Air Filtration Panel Cart	11	9872-32	Carry Air, Stage 2 Filter	21a	9874-15	Nipple (3/4" x 3.5")
1	9874-03	4 Worker Manifold Block	12	9872-03BG	Bowl & Guard w/ Auto Drain	22	9874-05	Knob
	9878-10	8 Worker Manifold Block	13	9872-31	Carry Air, Stage 1 Filter	23	9874-09	Brass Nipple (3/4" NPT x 2 1/2")
2	9875-03C	1st Stage Pre-Filter Assembly	14	9885-07	Handle	24	9874-F30	Filter
3	9872-07	Joiner Set	15	9874-07	U-Bolt	24a	9874-F653	3/4" NPT Aventics Filter 653 Series
4	9875-04C	2nd Stage Coalescing Assembly	16	9700-74A	1/4" Coupler (Hansen)	25	9820-05B	Econ. Filter Cart Inlet Hose Assy.
5	9860-41	T-Bracket w/ Joiner Set	17	9874-EFCT	10" Pneumatic Wheels (Ea.)	25a	9820-05W	Inlet Hose Assembly
6	9875-05	3rd Stage Carbon Filter Assembly	18	9874-28	Elbow Adapter (3/4" NPTM x 3/4")	26	9878-157	F30 Filter Element
7	9875-06	1/4" Regulator w/ Gauge	19	9874-04	U-Bolt	26a	9874-F653E	Filter Element
8	9875-08	Gauge	20	9820-11	3/4" Female NPT Coupler (Chicago)	27	9878-153BG	First Bowl & Guard
9	9872-04BG	Bowl & Guard w/ Manual Drain				27a	9874-F653BG	Bowl & Guard