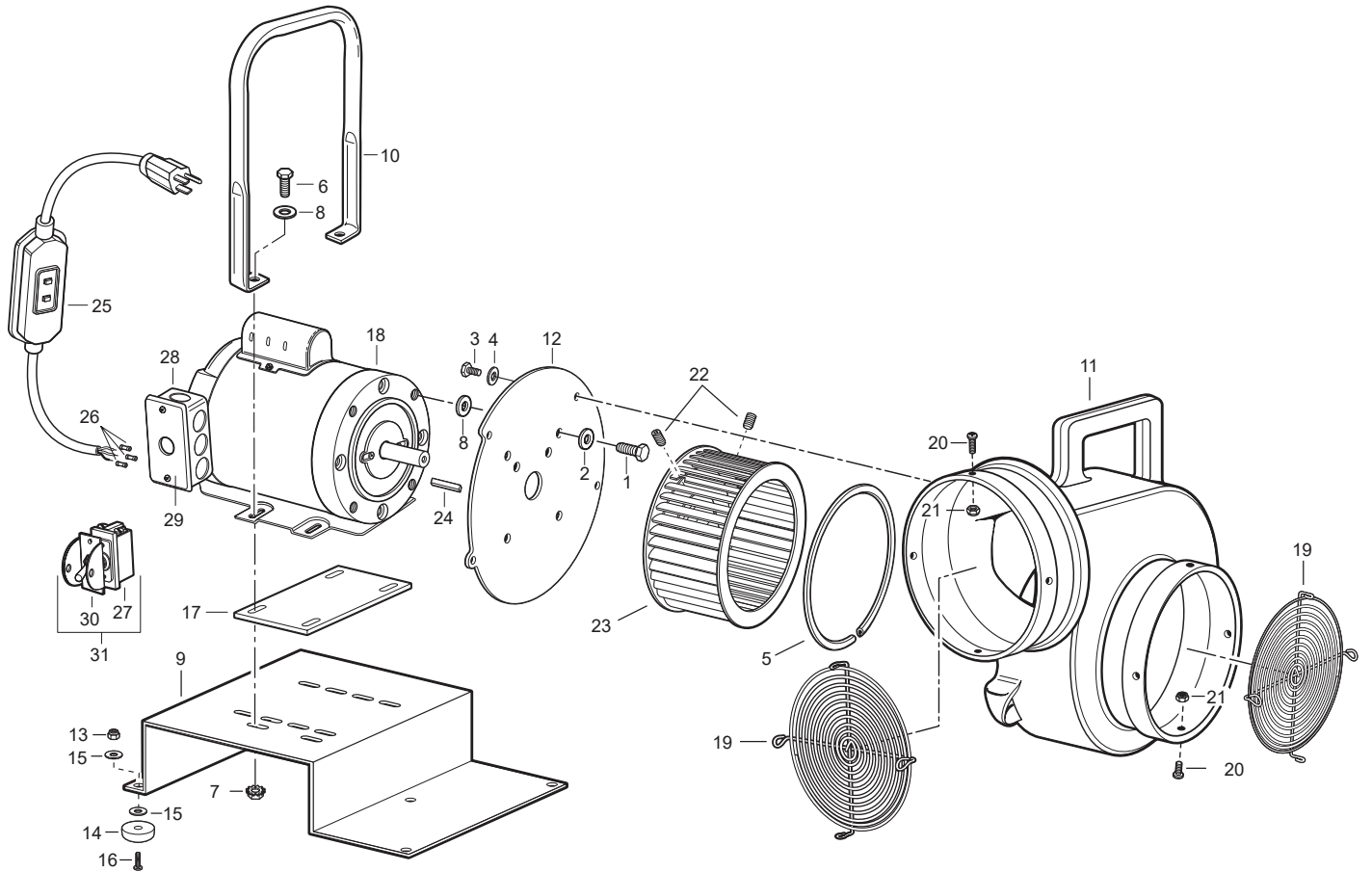




PRODUCT: CENTRIFUGAL TWO-SPEED BLOWER

PART NUMBER: 9507



KEY	PART #	DESCRIPTION	KEY	PART #	DESCRIPTION	KEY	PART #	DESCRIPTION
	9507	Two Speed Blower	11	9504-03RM	Housing	22	9500-91	Socket Set Screw
1	9500-82	Tap Bolt	12	9504-03A	Mounting Plate	23	9501-02	Fan Wheel (steel)
2	9500-64	Flat Washer	13	9800-64	Lock Nut, Nylon	24	9505-09A	Shaft Key
3	9500-74	Bolt	14	9505-06	Feet	25	9540	Ground Fault Interrupter
4	9500-72	Lock Washer	15	9800-62	Flat Washer	26	9513-14	Butt End Connector
5	9504-03B	Gasket	16	9500-79	Tap Bolt	27	9507-02	Switch
6	9500-82	Tap Bolt	17	9515-04	Rubber Motor Mount	28	9507-03	Switch Housing
7	9500-68	K-Nut	18	9507-01	3/4 hp 2-Speed Motor	29	9507-04	Cover
8	9500-64	Flat Washer	19	9534-02	Fan Guard	30	9865-14	Switch Guard
9	9512-03	Base	20	9800-66	Machine Screw	31	9865-13A	Toggle Switch Assembly
10	9500-05	Handle	21	9500-69	Lock Nut			