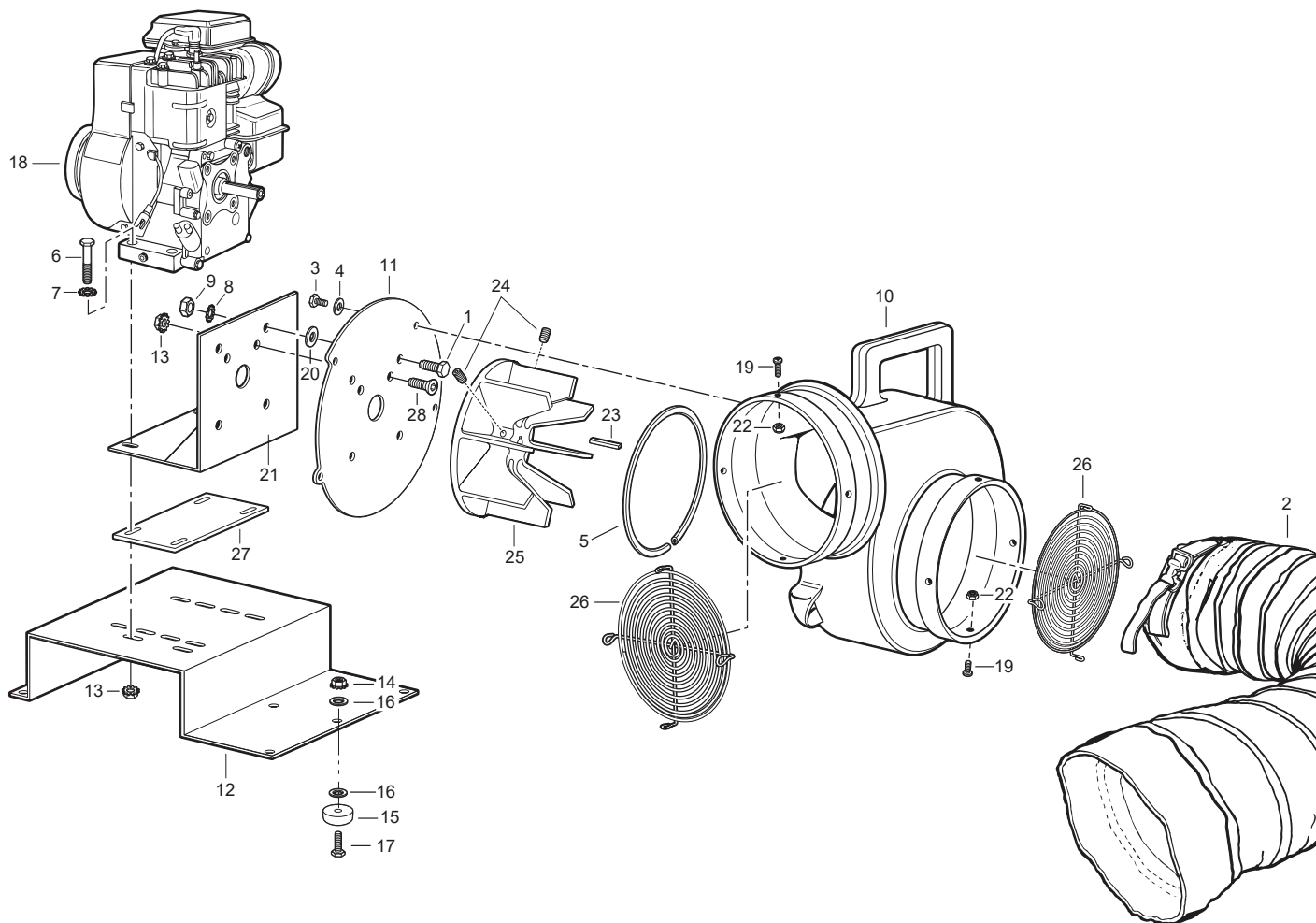




PRODUCT: CENTRIFUGAL GAS BLOWERS

**PART NUMBER: 9505 (BRIGGS & STRATTON)
9505-50 (HONDA)**



KEY	PART #	DESCRIPTION	KEY	PART #	DESCRIPTION	KEY	PART #	DESCRIPTION
	9505	Gas Blower (Briggs & Stratton)	11	9504-03A	Mounting Plate	21	9505-05	Motor Bracket
	9505-50	Gas Blower (Honda)	12	9512-03	Chassis Base	22	9500-69	Lock Nut
1	9500-80	Tap Bolt	13	9500-67	K-Nut	23	9505-09A	Shaft Key (Briggs & Stratton)
2	9505-16	Intake Ducting	14	9500-68	K-Nut		9505-09B	Shaft Key (Honda)
3	9500-74	Bolt	15	9505-06	Feet	24	9500-91	Socket Set Screw
4	9500-72	Lock Washer	16	9500-63	Flat Washer	25	9505-09	Fan Wheel, Aluminum (Briggs & Stratton) (Before 2006)
5	9504-03B	Housing Gasket	17	9500-79	Tap Bolt		9505-15	Fan Wheel, Aluminum (Honda & Subaru) (After 2006)
6	9500-74	Bolt	18	9505-01	Motor (Gas) 5 HP (Briggs & Stratton)	26	9534-02	Fan Guard
7	9800-62	Flat Washer		9505-02	Motor (Gas) 4 HP (Honda)	27	9505-04	Motor Mount Pad
8	9500-73	Lock Washer	19	9800-66	Machine Screw	28	9500-81	Flat Socket Screw
9	9800-71	Nut	20	9800-62	Flat Washer			
10	9504-03RM	Housing						