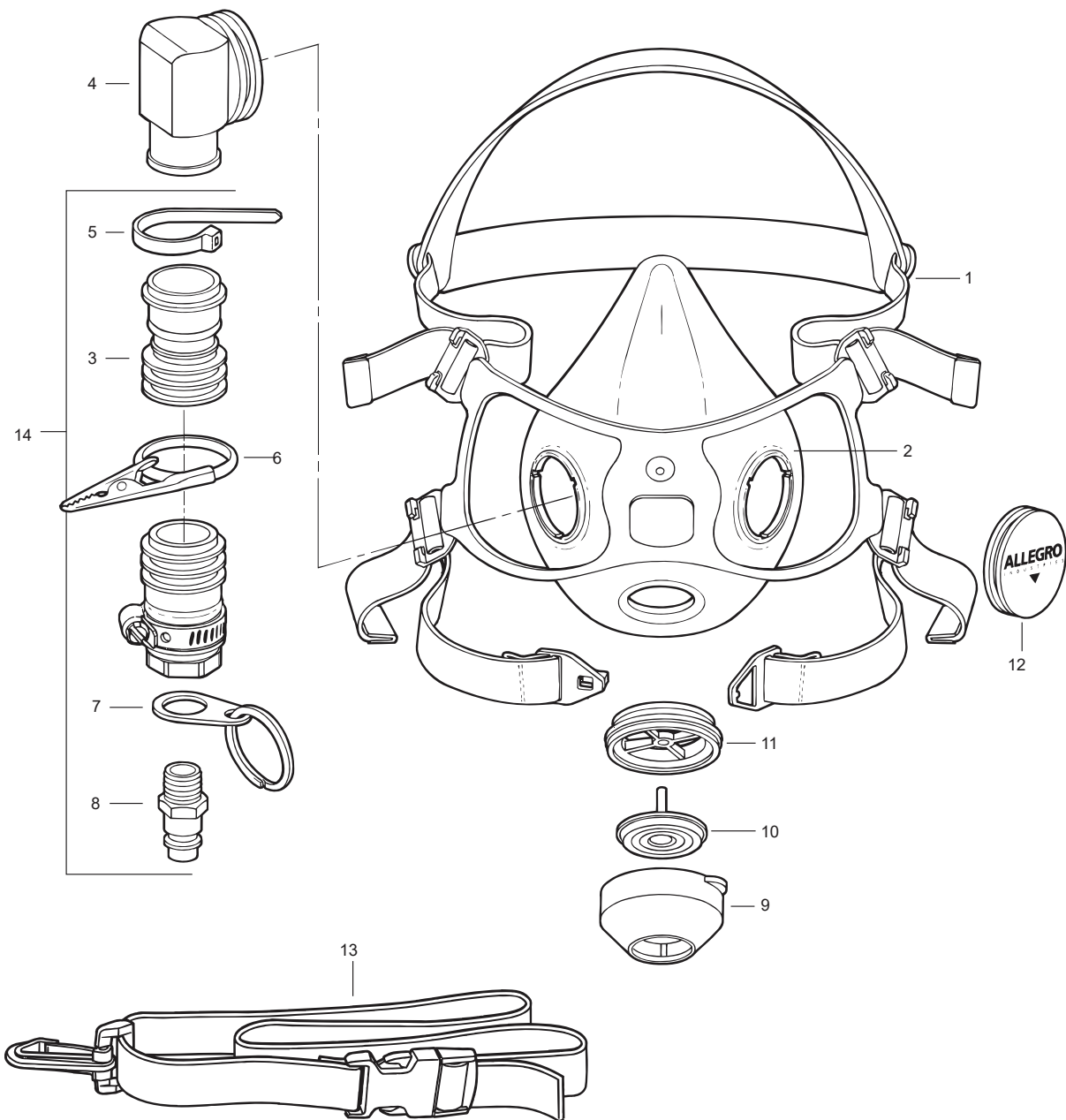




**PRODUCT: HALF MASK SUPPLIED AIR RESPIRATOR**

**PART NUMBER: 9920**



KEY	PART #	DESCRIPTION	KEY	PART #	DESCRIPTION	KEY	PART #	DESCRIPTION
	<b>9920</b>	<b>Half Mask Assembly</b>	7	9900-15	Key Ring/Metal Tab Assembly	14	9920-01A	Breathing Tube Assembly
1	9920-02	Head Harness Assembly	8	9700-73B	Plug OBAC		9920-01	Breathing Tube Assembly w/ Waist Belt (#13)
2	9920-03D	Half Mask Skirt	9	9920-03A	Exhalation Valve Cover		100m	Half Mask Skirt Assembly (Includes 2, 4, 9,10, 11, 12)
3	9900-73B	Breathing Tube	10	9920-03B	Exhalation Valve		9920-20	Fit Test Kit (Not Shown)
4	9920-04	Inlet/Elbow Assembly	11	9920-03C	Exhalation Seat		9900-40	Flow Test Kit (Not Shown)
5	9900-01N	Plastic Tie Wrap	12	9920-05	Plug			
6	9900-09	Alligator Clip Assembly	13	9900-02	Waist Belt w/ Clip			