

## SPECIFICATIONS

Product Description: **8" AND 12" VENTILATION PASSTHRU**  
 Part Number: **9510-50 AND 9510-60 SERIES**  
 Style: **MANHOLE**

**GENERAL DESCRIPTION:**

The Manhole Ventilation Passthru (MVP) is designed to maintain and re-direct air flow with minimal restriction into manholes, sewers, and tanks. The MVP is the first manhole system that combines the low-profile manhole air vent, 90° elbow, and built in mounting all into one easy assembly. Patented by Allegro (US Patent No. D673,668).



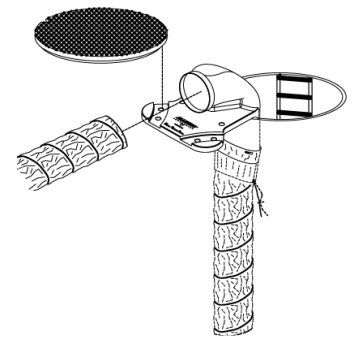
**MATERIAL:**

*MVP*

- Linear Low-Density Polyethylene (LLDPE)
- Recyclable
- Bright yellow color

*DUCTING*

- Vinyl and polyester with PVC coating
- Compressible inner support coils
- Heat resistant up to 180° F (88.2° C)
- Meets ASTM 227 specs
- UL 94V-0 Flame Retardant



**FEATURES:**

- Low profile elbow fits underneath the lower cross bar of the guardrail
- Manhole cover fits into flat channeled corners for stabilization
- Small storage bag holds ducting
- Quick release draw string to drop ducting into manhole
- Collapsible duct for easy entry springs back into shape once worker is down into the manhole
- Combines three components, the low-profile manhole air vent, 90° elbow and built-in mounting all into one easy assembly
- Reducing overall size, storage, and shipping cost

**DIMENSIONS:**

PN	Length	Width	Height	Weight
<b>9510-50 Series</b>	32" (81.3 cm) (duct stored) 62" (157.5 cm) (duct in use)	20" (50.8 cm)	23" (58.4 cm)	11 lbs. (4.9 kg)
<b>9510-60 Series</b>	37" (94.0 cm) (duct stored) 67" (170.2 cm) (duct in use)	23" (58.4 cm)	28" (71.1 cm)	17 lbs. (7.71 kg)

**AVAILABLE:**

- 9510-50** 8" Manhole Ventilation Passthru (MVP) w/ 6' (1.83 m) Ducting  
**9510-55** 8" Manhole Ventilation Passthru (MVP) w/ 15' (4.57 m) Ducting  
**9510-60** 12" Manhole Ventilation Passthru (MVP) w/ 6' (1.83 m) Ducting  
**9510-65** 12" Manhole Ventilation Passthru (MVP) w/ 15' (4.57 m) Ducting