

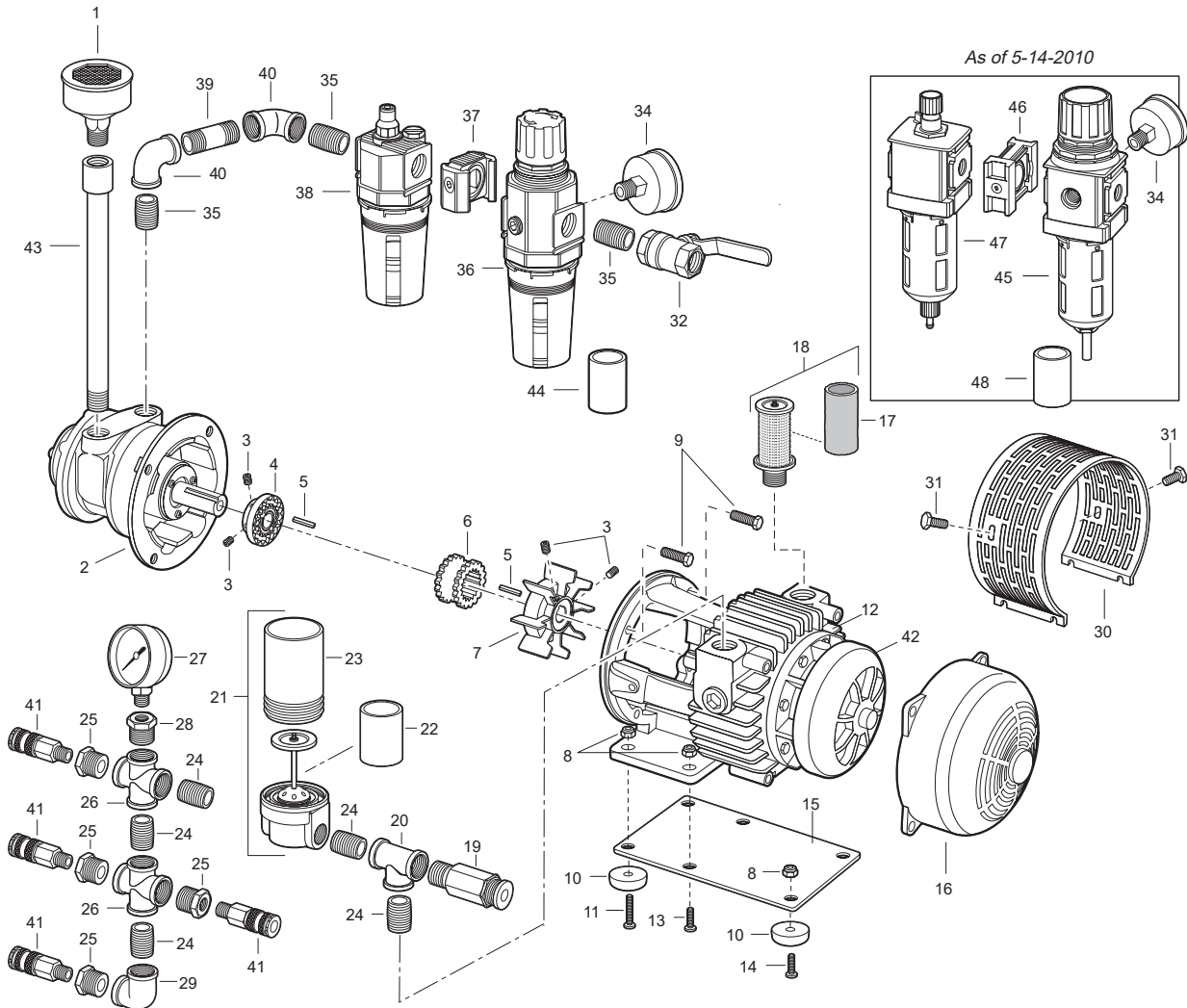


**PRODUCT:**

**BREATHING AIR PUMPS (3-4 WORKERS)**

**PART NUMBER:**

**9850 (A-4000AD)**



KEY	PART #	DESCRIPTION	KEY	PART #	DESCRIPTION	KEY	PART #	DESCRIPTION
	<b>9850</b>	<b>A-4000 AD</b>	19	9700-76	Pressure Relief Valve	37	9850-95SP	Spacer Kit
1	9850-09	Muffer Assembly	20	9000-14	Galvanized Tee	38	9850-95L	Lubricator
2	9850-AA	Air Motor	21	9700-78	Exhaust Filter Ass. (w/ Filter)	39	9000-21	Pipe Nipple
3	9800-79	Set Screw	22	9700-02	Exhaust Filter Element	40	9000-02	Elbow
4	9850-50	Coupling Half	23	9700-15C	Exhaust Filter Canister	41		Coupler ( <a href="#">See Coupler Page</a> )
5	9800-80	Set Key	24	9000-10	Nipple	42	9832-02	Fan
6	9850-51	Spacer	25	9000-12	Chrome Hex Bushing (STD)	43	9850-03	Exhaust
7	9800-81	Cooling Fan		9000-11	Chrome Hex Bushing (Optional)	44	9850-95F	40 Micron Filter
8	9800-64	Nylon Lock Nut	26	9000-13	Galvanized Cross	45	9850-95RW	Filter Regulator Combo, 12"
9	9800-73	Tap Bolt	27	9700-04	Pressure Gauge	46	9872-07	Joiner Set
10	9700-06	Rubber Feet	28	9000-12	Chrome Hex Bushing	47	9850-95LW	Lubricator, 1/2"
11	9800-67	Machine Screw	29	9000-22	Elbow	48	9872-31 5	Micron Filter Element
12	9832-AA	Pump	30	9800-82	Shroud			<b>Accessories (Not Shown)</b>
13	9800-68	Machine Screw	31	9800-74	Tap Bolt	9700-55		Service Kit (Includes Vanes (Set of 4), Filters, and Flushing Liquid)
14	9800-69	Machine Screw	32	9850-20	Ball Cock Valve	9700-65		Universal Inlet Hose Kit (50 ft.)
15	9831-88	Base Plate	33	9850-95F	5 Micron Filter	9700-57S		Vanes (Set of 4)
16	9832-03	Fan Guard	34	9850-96	Gauge			
17	9700-01	Inlet Filter Element	35	9000-01	Close Nipple			
18	9700-77	Inlet Filter Assembly (w/ Filter)	36	9850-95R	Regulator			