

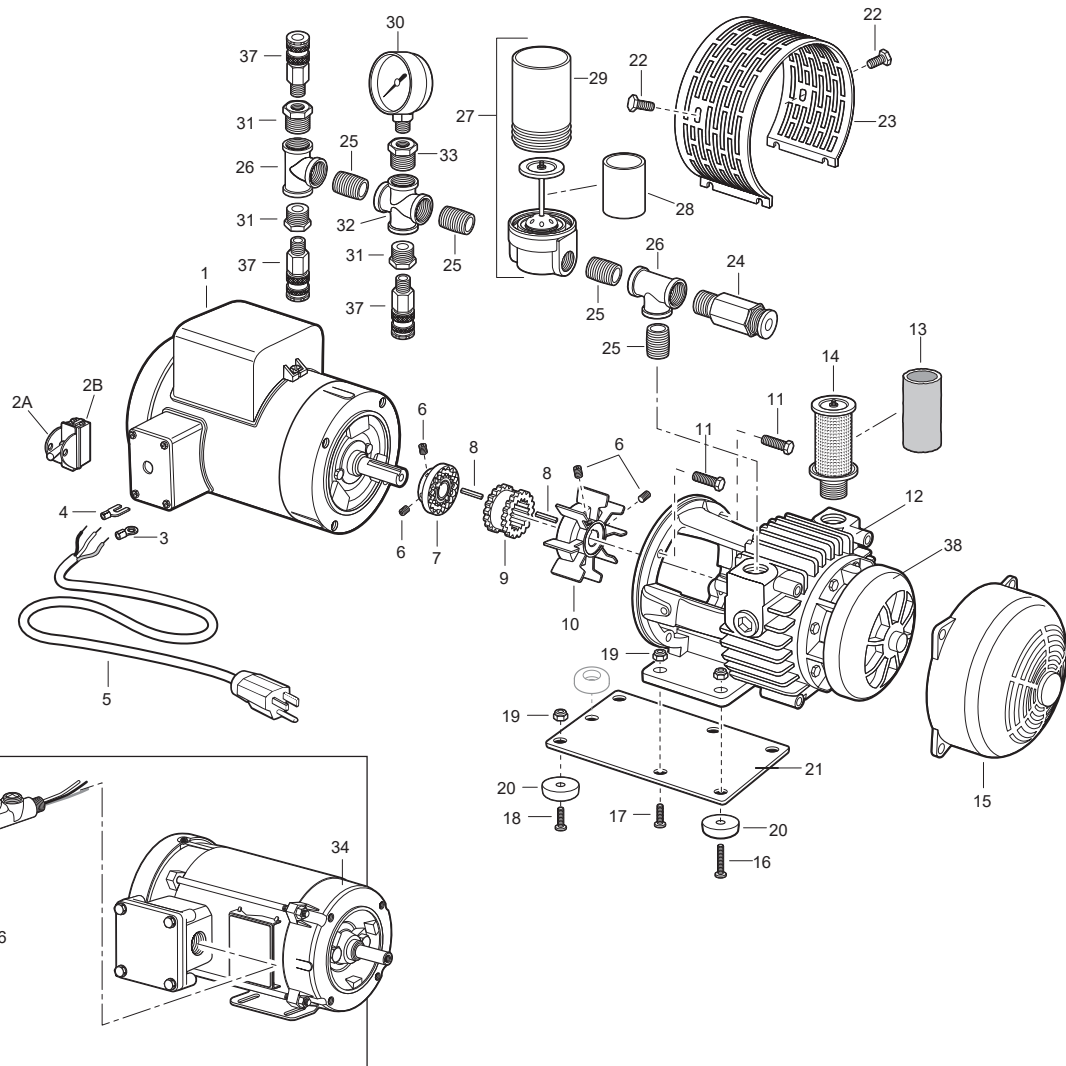


PRODUCT:

BREATHING AIR PUMPS (2-3 WORKERS)

PART NUMBER:

**9832 (A-1500TE)
9833 (A-1500EX)**



A1500EX (9833)

| KEY | PART # | DESCRIPTION | KEY | PART # | DESCRIPTION | KEY | PART # | DESCRIPTION |
|-----|-------------|-------------------------------|-----|----------|------------------------------------|----------|----------|---|
| | 9832 | A1500 TE | 14 | 9700-77 | Inlet Filter Assembly | 30 | 9700-04 | Pressure Gauge |
| | 9833 | A1500 EX | 15 | 9832-03 | Fan Guard | 31 | 9000-11 | Chrome Hex Bushing (Optional) |
| 1 | 9832-99 | Motor, 1 1/2 hp | 16 | 9800-69 | Machine Screw | 31 | 9000-12 | Chrome Hex Bushing (STD) |
| 2a | 9865-14 | Switch Guard | 17 | 9800-68 | Machine Screw | 32 | 9000-13 | Galvanized Cross |
| 2b | 9865-13 | Toggle Switch | 18 | 9800-67 | Machine Screw | 33 | 9000-1 | Chrome Hex Bushing |
| 3 | 9800-77 | Yellow Ring | 19 | 9800-64 | Nylon Lock Nut | 34 | 9833-100 | Motor, 1 1/2 hp (EX Single Phase) |
| 4 | 9800-78 | Yellow Spade | 20 | 9700-06 | Rubber Feet | 35 | 9503-03 | Receptacle 20 Amp -125 Volt (EX) (Sold Separately) |
| 5 | 9831-75 | Electric Cord | 21 | 9831-88 | Pump Base Plate | 36 | 9503-02 | Plug 20 Amp -125 Volt (EX) |
| 6 | 9800-79 | Set Screw | 22 | 9800-74 | Tap Bolt | 37 | | Coupler (See Coupler Page) |
| 7 | 9832-50 | Coupling Half | 23 | 9800-82 | Shroud | 38 | 9832-02 | Fan |
| 8 | 9800-80 | Set Key | 24 | 9700-76 | Pressure Relief Valve | | | Accessories (Not Shown) |
| 9 | 9832-51 | Spacer | 25 | 9000-10 | Nipple | 9700-55 | | Service Kit (Includes Vanes (Set of 4), Filters, and Flushing Liquid) |
| 10 | 9800-81 | Cooling Fan | 26 | 9000-14 | Galvanized Tee | 9700-65 | | Universal Inlet Hose Kit (50 ft.) |
| 11 | 9800-73 | Tap Bolt | 27 | 9700-78 | Exhaust Filter Assembly (w/Filter) | 9700-57S | | Vanes (set of 4) |
| 12 | 9832-AA | Pump (Includes #15, 38, 6-10) | 28 | 9700-02 | Exhaust Filter Element | | | |
| 13 | 9700-01 | Inlet Filter Element | 29 | 9700-15C | Exhaust Filter Canister | | | |