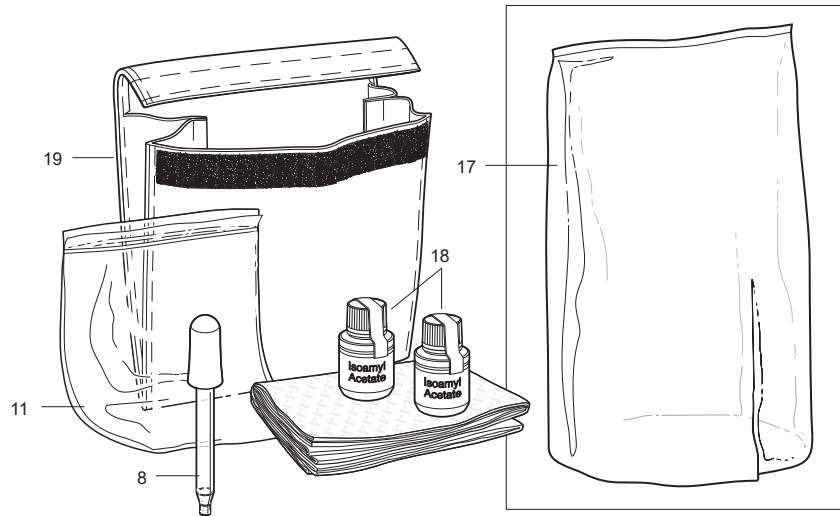


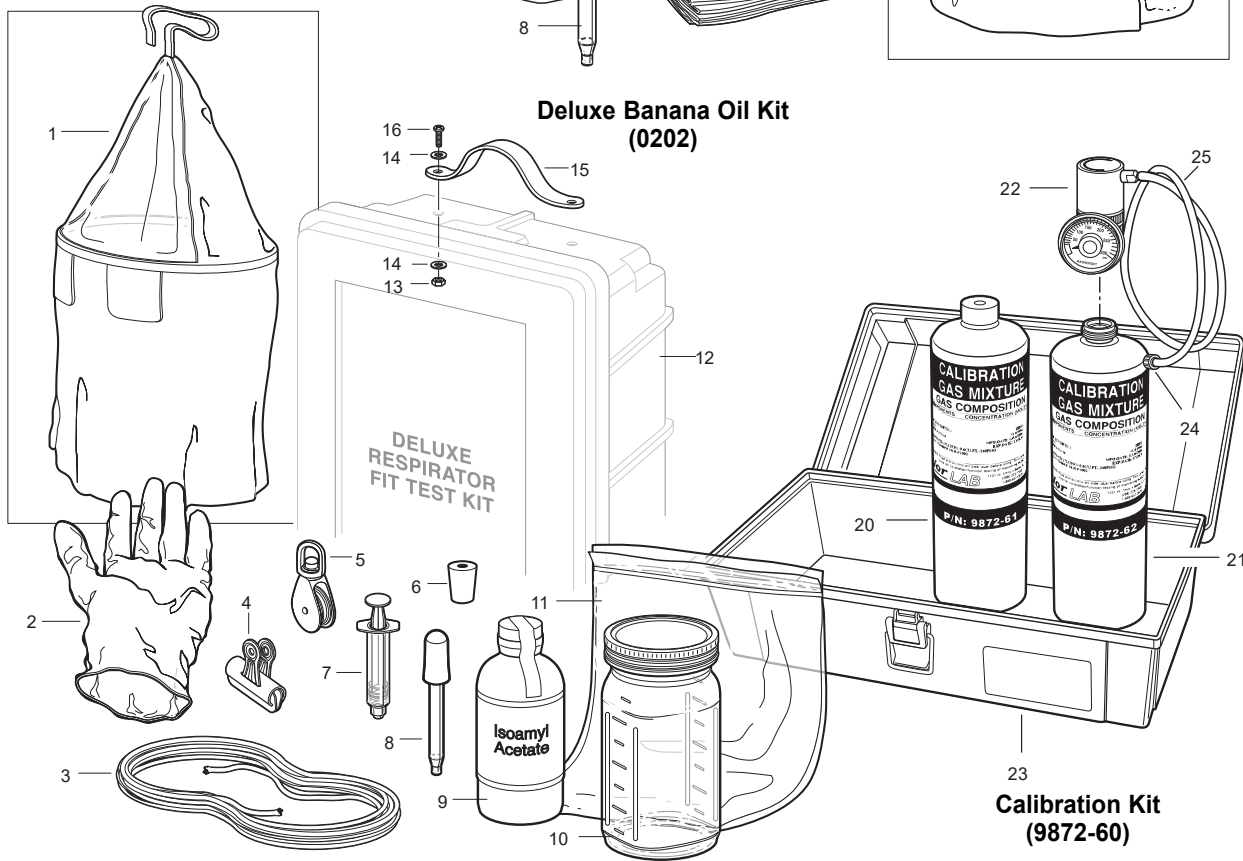


<b>PRODUCT:</b>	<b>BANANA OIL KITS &amp; CALIBRATION KIT</b>
<b>PART NUMBER:</b>	<b>0203 (STANDARD BANANA OIL KIT) 0202 (DELUXE BANANA OIL KIT) 9872-60 (CALIBRATION KIT)</b>

**Standard Banana Oil Kit (0203)**



**Deluxe Banana Oil Kit (0202)**



KEY	PART #	DESCRIPTION	KEY	PART #	DESCRIPTION	KEY	PART #	DESCRIPTION
	0203	Standard Banana Oil Kit	8	0202C	Pipette	18	0203-01	Banana Oil (1 oz)
	0202	Deluxe Banana Oil Kit	9	0202-01	Banana oil (8 oz)	19	2010	Storage Bag
	9872-60	Calibration Kit	10	0202A	Jar (1 quart)	20	9872-61	Calibration Span Gas
1	2060	Fit Test Tent	11	0202K	Plastic Bag	21	9872-62	Calibration Zero Gas
2	0202B	Vinyl Gloves	12	4500RX	Case	22	9872-67	Regulator
3	0202F	Nylon Cord	13	9500-69	Nylon Lock Nut	23	9272-68	Carry Case
4	0202H	Clip	14	9500-63	Flat Washer	24	9872-14B	Luer
5	0202E	Pulley	15	9513-07	Handle	25	9872-14A	Tubing
6	0202G	Stopper	16	9800-66	Machine Screw			
7	0202D	Syringe	17	0203B	Plastic Test Enclosure			