



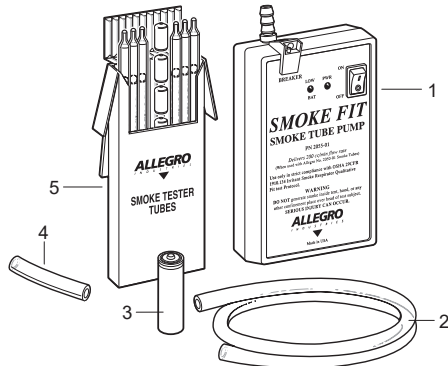
**PRODUCT:**

**SMOKE TEST KITS, FULL FACE QUALITATIVE & QUANTITATIVE**

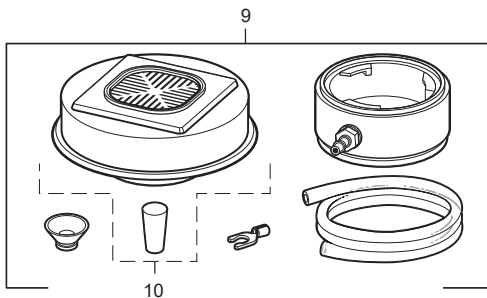
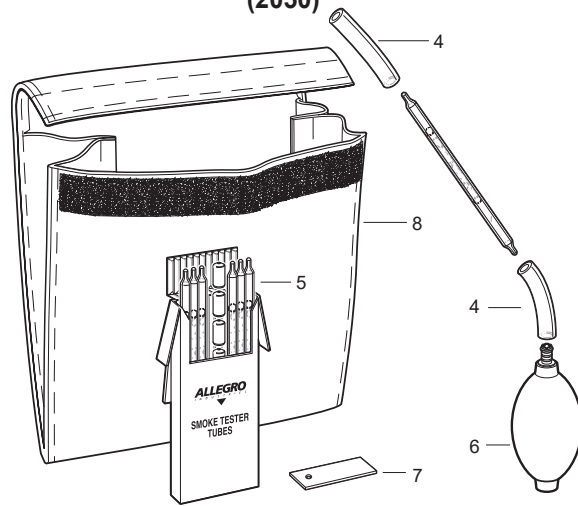
**PART NUMBER:**

**2050 (STANDARD SMOKE TEST KIT)  
2055 (DELUXE SMOKE TEST KIT)  
9901-20 (FULL FACE QUALITATIVE)  
9901-22 (FULL FACE QUANTITATIVE)**

**Deluxe Smoke Test Kit (2055)**



**Standard Smoke Test Kit (2050)**



**Full Face Fit Test Kit  
Qualitative (9901-20)  
and  
Quantitative (9901-22)**

KEY	PART #	DESCRIPTION	KEY	PART #	DESCRIPTION	KEY	PART #	DESCRIPTION
	2050	Standard Smoke Test Kit	2	9804-07	Tubing (5 ft)	7	2050-03	Breaker Tool
	2055	Deluxe Pump Smoke Test Kit	3	2055-01F	AA Batteries (4 required)	8	2010	Bag
	9901-20	Full Face Qualitative	4	2050-04	Tubing (4')	9	9901-22	Quantitative Fit Test Full Mask (Used w/ 9901)
	9901-22	Full Face Quantitative	5	2050-01	Smoke Tubes (6/Box)	10	9901-20	Qualitative Fit Test Full Mask (Used w/ 9901)
1	2055-01	Smoke Pump	6	2050-02	Aspirator Bulb			