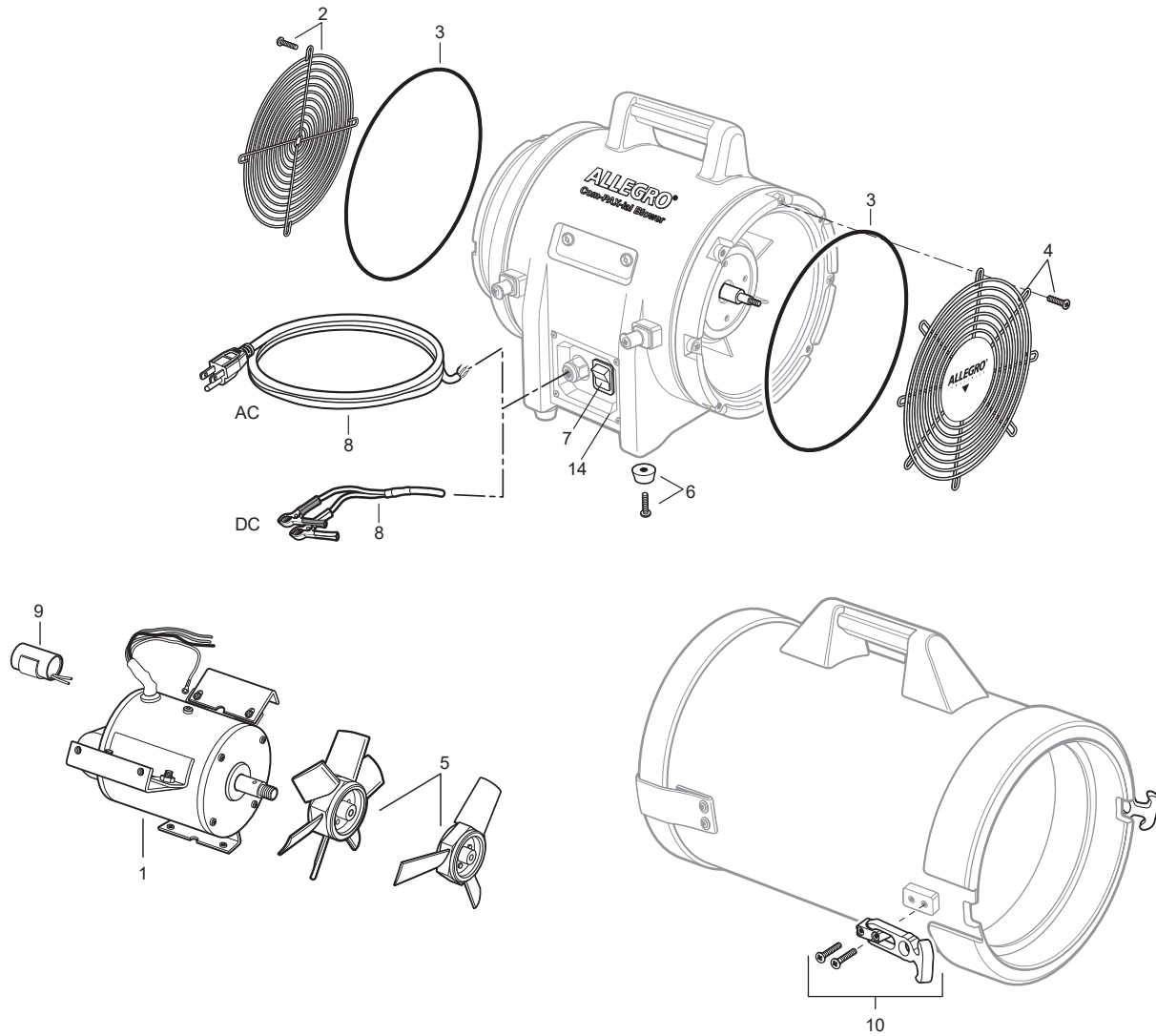




PRODUCT: 12" AXIAL PLASTIC BLOWERS

**PART NUMBER: 9543, 9543-15, 9543-25 (AC)
9546, 9546-15, 9546-25 (DC)
9548, 9548-15, 9548-25 (EX)**



| KEY | PART # | DESCRIPTION | KEY | PART # | DESCRIPTION | KEY | PART # | DESCRIPTION |
|-----|---------|--|-----|-----------|---|-----|-----------|------------------------|
| | 9543 | 12" Axial AC Plastic Blower | 1 | 9543-03 | Motor | 9 | 9543-03C | Capacitor |
| | 9543-15 | 12" Axial AC Plastic Blower w/ 15' Ducting | | 9506-10 | Motor (DC) 12 VDC | 10 | 9533-08 | Canister Latch Kit |
| | 9543-25 | 12" Axial AC Plastic Blower w/ 25' Ducting | | 9513-03EX | Motor (EX) | 11 | 9506-03 | Clamps, Battery 50 Amp |
| | 9546 | 12" Axial DC Plastic Blower | 2 | 9543-09 | Fan Guard w/ Screws | 12 | 9506-11 | Fuse, 30 Amp, DC Motor |
| | 9546-15 | 12" Axial DC Plastic Blower w/ 15' Ducting | 3 | 9543-05 | Canister O-Ring | 13 | 9534-07 | Strain Relief |
| | 9546-25 | 12" Axial DC Plastic Blower w/ 25' Ducting | 4 | 9543-07 | Fan Grill w/ Screws | 14 | 9543-12 | Switch Plate w/Screws |
| | 9548 | 12" Axial EX Plastic Blower | 5 | 9543-10 | 6 Blade Fan | 15 | 9543-12P | Rectangular Hole Plug |
| | 9548-15 | 12" Axial EX Plastic Blower w/ 15' Ducting | | 9509-06 | 3 Blade Fan | 16 | 9543-14 | 12" Blower Chassis Kit |
| | 9548-25 | 12" Axial EX Plastic Blower w/ 25' Ducting | | 9509-06EX | 3 Blade Fan (EX) | 17 | 9548-55DC | Motor Mount |
| | | | 6 | 9543-06 | Feet Kit (Includes 4 Feet & 4 Screws) (not sold separately) | 18 | 9503-02 | Plug, 20A/125V |
| | | | 7 | 9543-13 | Switch (AC only) | 19 | 9543-12B | Strain Relief |
| | | | 8 | 9543-04 | AC Electric Cord | | | |
| | | | | 9506-40 | DC Power Cord w/ Clamps | | | |