



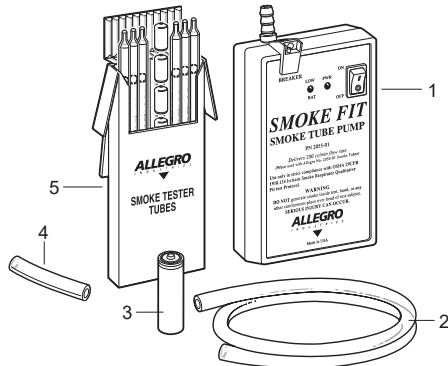
PRODUCT:

SMOKE TEST KITS, FULL FACE QUALITATIVE & QUANTITATIVE

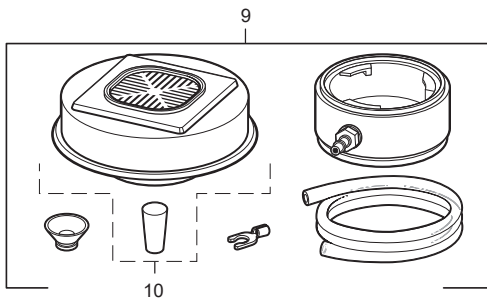
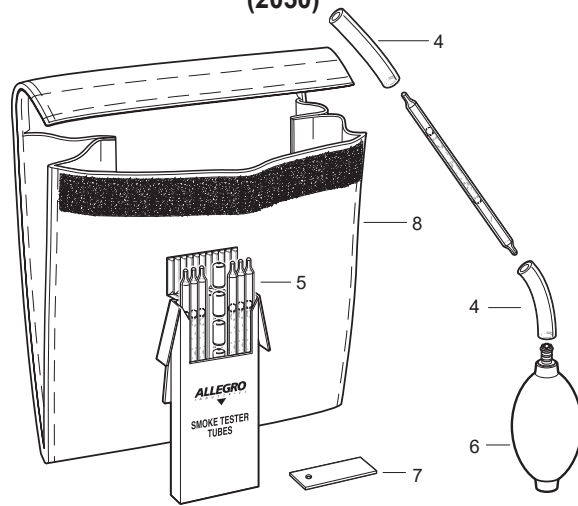
PART NUMBER:

**2050 (STANDARD SMOKE TEST KIT)
2055 (DELUXE SMOKE TEST KIT)
9901-20 (FULL FACE QUALITATIVE)
9901-22 (FULL FACE QUANTITATIVE)**

Deluxe Smoke Test Kit (2055)



Standard Smoke Test Kit (2050)



**Full Face Fit Test Kit
Qualitative (9901-20)
and
Quantitative (9901-22)**

| KEY | PART # | DESCRIPTION | KEY | PART # | DESCRIPTION | KEY | PART # | DESCRIPTION |
|-----|---------|----------------------------|-----|----------|---------------------------|-----|---------|--|
| | 2050 | Standard Smoke Test Kit | 2 | 9804-07 | Tubing (5 ft) | 7 | 2050-03 | Breaker Tool |
| | 2055 | Deluxe Pump Smoke Test Kit | 3 | 2055-01F | AA Batteries (4 required) | 8 | 2010 | Bag |
| | 9901-20 | Full Face Qualitative | 4 | 2050-04 | Tubing (4') | 9 | 9901-22 | Quantitative Fit Test Full Mask (Used w/ 9901) |
| | 9901-22 | Full Face Quantitative | 5 | 2050-01 | Smoke Tubes (6/Box) | 10 | 9901-20 | Qualitative Fit Test Full Mask (Used w/ 9901) |
| 1 | 2055-01 | Smoke Pump | 6 | 2050-02 | Aspirator Bulb | | | |