

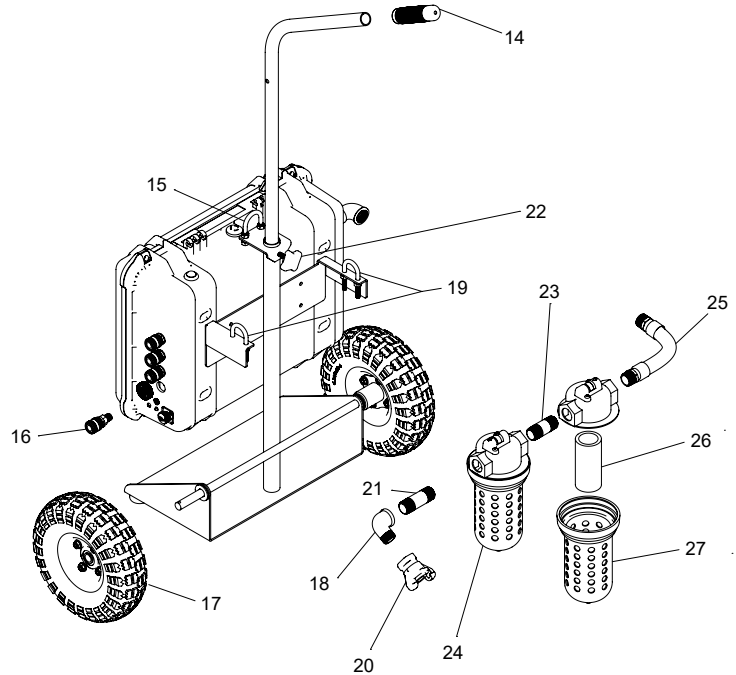
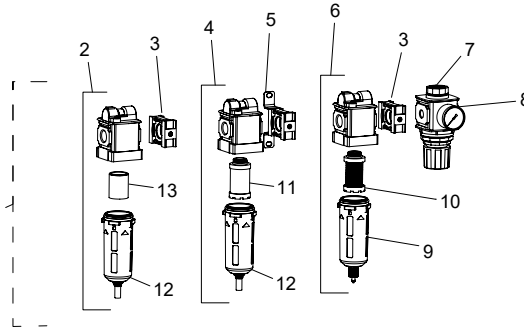
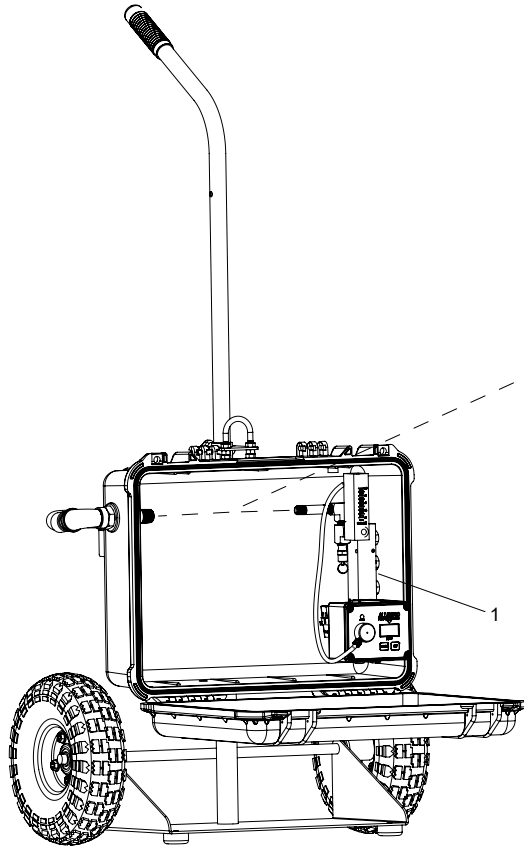


PRODUCT:

BREATHING AIR FILTRATION PANEL CARTS

PART NUMBER:

**9874-EFC (4 WORKER)
9878-EFC (8 WORKER)**



For a complete parts listing for either Panel Cart, refer to the following Parts Book pages...
9874-EFC → 9875 (page 40)
9878-EFC → 9878 (page 42)

KEY	PART #	DESCRIPTION	KEY	PART #	DESCRIPTION	KEY	PART #	DESCRIPTION
	9874-EFC	4 Worker Air Filtration Panel Cart	9	9872-04BG	Bowl & Guard w/ Manual Drain	20	9820-11	3/4" Female NPT Coupler (Chicago)
	9878-EFC	8 Worker Air Filtration Panel Cart	10	9872-33	Carry Air, Stage 3 Filter	21	9878-11	Brass Nipple (3/4" x 3")
1	9874-03	4 Worker Manifold Block	11	9872-32	Carry Air, Stage 2 Filter	22	9874-05	Knob
	9878-10	8 Worker Manifold Block	12	9872-03BG	Bowl & Guard w/ Auto Drain	23	9874-09	Brass Nipple (3/4" NPT x 2 1/2")
2	9875-03C	1st Stage Pre-Filter Assembly	13	9872-31	Carry Air, Stage 1 Filter	24	9874-F30	Filter
3	9872-07	Joiner Set	14	9885-07	Handle	25	9820-05B	Econ. Filter Cart Inlet Hose Assy.
4	9875-04C	2nd Stage Coalescing Assembly	15	9874-07	U-Bolt	26	9878-157	F30 Filter Element
5	9860-41	T-Bracket w/ Joiner Set	16	9700-74A	1/4" Coupler (Hansen)	27	9878-153BG	First Bowl & Guard
6	9875-05	3rd Stage Carbon Filter Assembly	17	9874-EFCT	10" Pneumatic Wheels (Ea.)			
7	9875-06	1/4" Regulator w/ Gauge	18	9874-28	Elbow Adapter (3/4" NPTM x 3/4")			
8	9875-08	Gauge	19	9874-04	U-Bolt			