



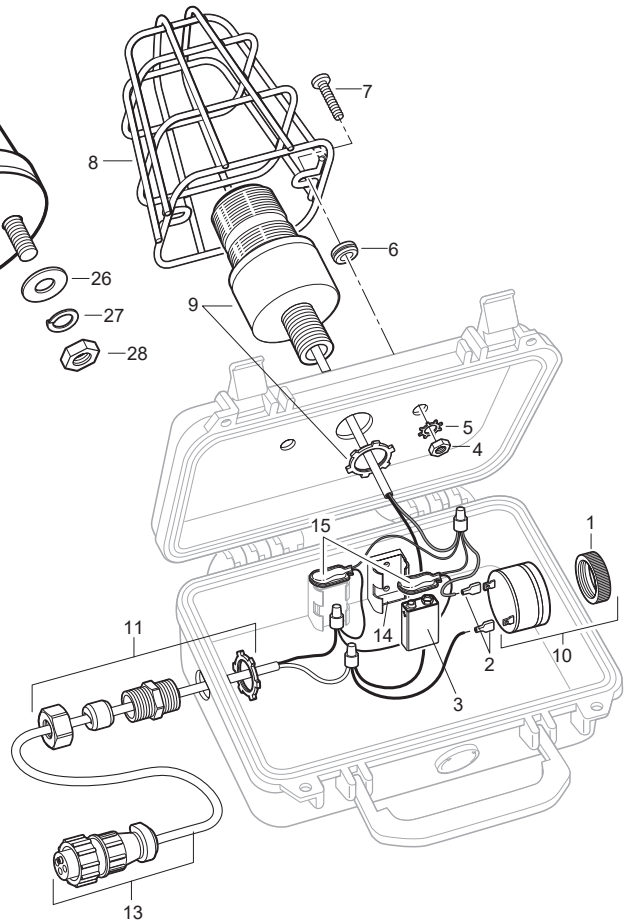
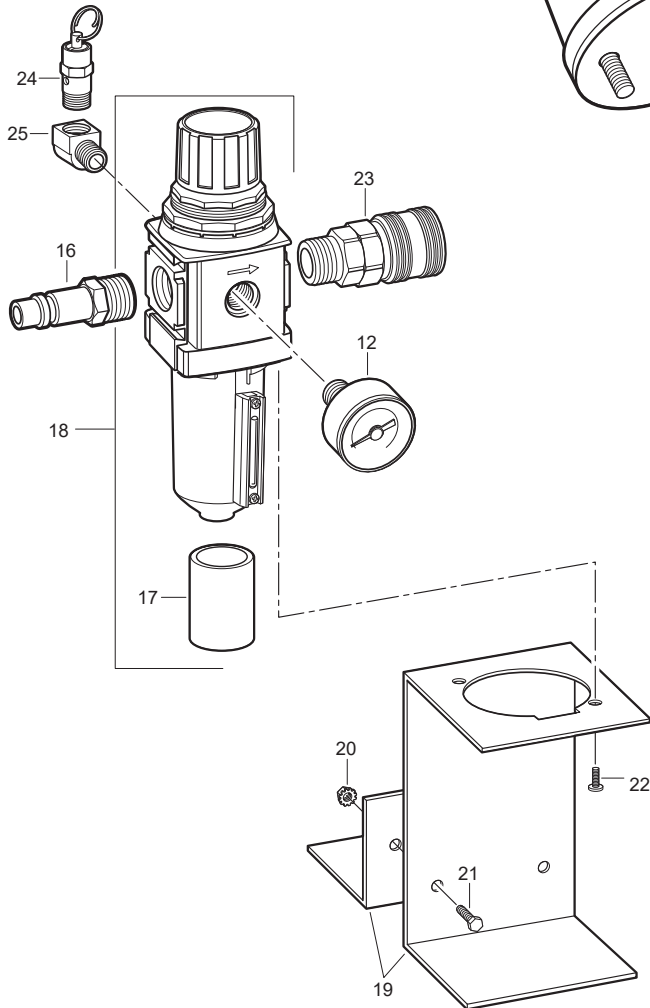
**PRODUCT:**

**BREATHING AIR FILTRATION PANEL  
ACCESSORIES**

**PART NUMBER:**

**9871-01 (REMOTE CO ALARM W/ STROBE)  
9871-01EC (ECONOMY REMOTE CO ALARM W/ STROBE)  
9350-03 SOURCE PRE-FILTER**

**Source Pre-Filter  
(9350-03)**



**Remote CO Alarm with Strobe  
(9871-01)**

**Economy Remote CO Alarm with Strobe  
(9871-01EC)**

KEY	PART #	DESCRIPTION	KEY	PART #	DESCRIPTION	KEY	PART #	DESCRIPTION
	9871-01	Remote CO Alarm	9	9871-01B	Micro Strobe, Red (9871-01)	18	9350-03C	Pre Source Filter (Includes 12 and 17)
	9871-01EC	Economy Remote Alarm		9871-01S	Economy Strobe, Red (9871-01EC)		9350-03B	Pre-Filter Stand Assembly
	9350-03	Source Pre-Filter	10	9871-01D	Piezo Alarm 90 DB	19	9500-67	K-Nut
1	9871-20	Alarm Bezel Nut	11	9871-01K	Strain Relief	20	9800-74	Tap Bolt
2	9871-21	Push-on Connectors	12	9350-16	Gauge	21	9500-59	Phil Screw
3	9871-01F	Battery (2 required for the 9871-01, 1 required for the 9871-01EC)	13	9871-01M	50' Cable Assembly (9871-01)	22	9700-72A	Coupler
4	9500-69	Lock Nut (9871-01)	14	9871-01E	Battery Holder	23	9875-09	Relief Valve
5	9500-71	Lock Washer	15	9871-01L	Battery Clip	24	9879-09	Street Elbow.
6	9800-63	Grommet	16	9700-72B	Male Plug	25	9500-70	Lock Nut
7	9500-76	Machine Screw (9871-01)	17	9350-03FW	Filter Element	26	9500-69	Lock Washer
8	9871-01C	Micro Strobe Guard Set				27	9500-61	Flat Washer
						28		