

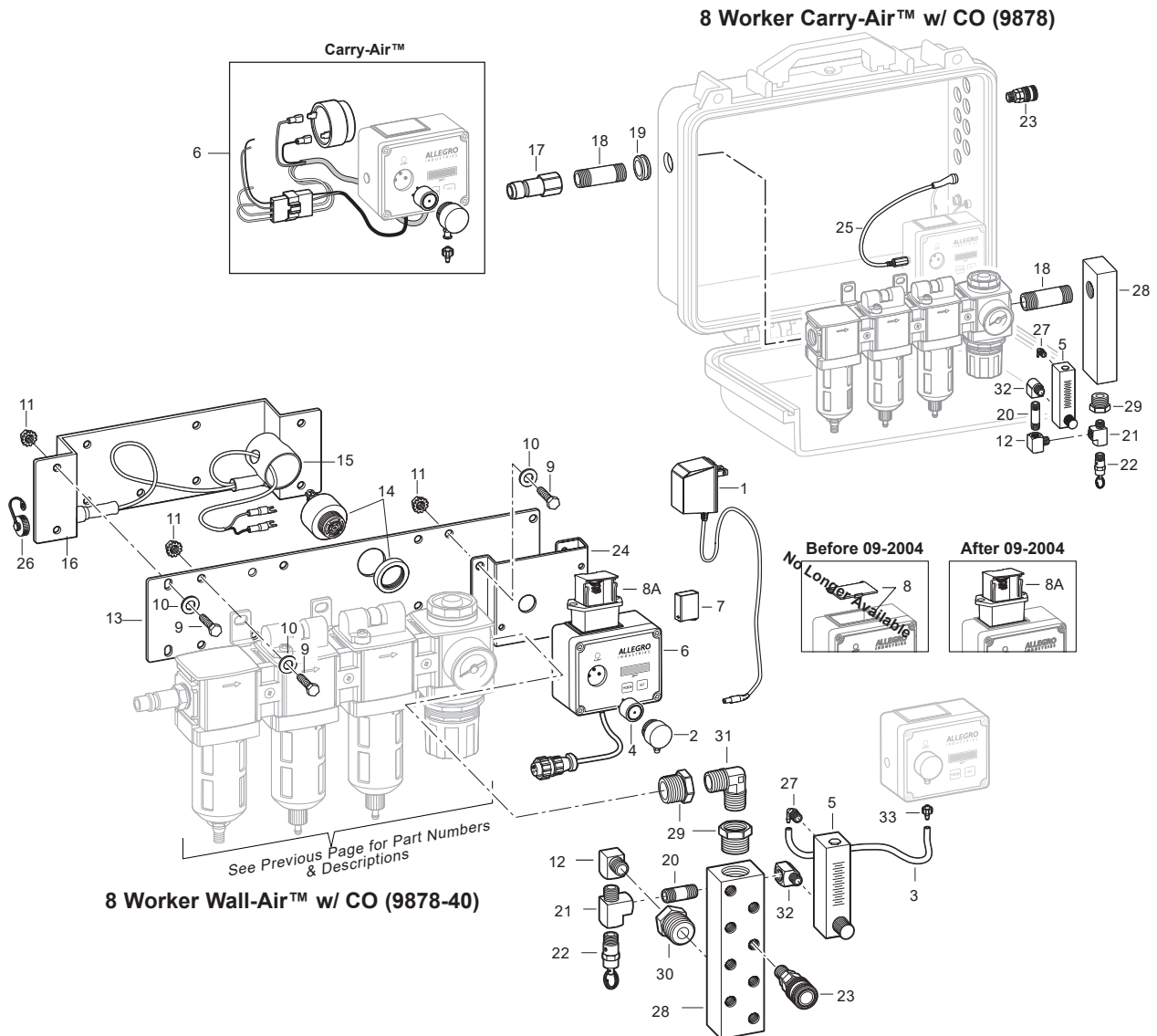


**PRODUCT:**

**BREATHING AIR FILTRATION PANELS  
(8 WORKERS)**

**PART NUMBER:**

**9878 (CARRY-AIR™ W/ CO MONITOR)  
9878-40 (WALL-AIR™ W/ CO MONITOR)**



**8 Worker Wall-Air™ w/ CO (9878-40)**

KEY	PART #	DESCRIPTION	KEY	PART #	DESCRIPTION	KEY	PART #	DESCRIPTION
	<b>9878</b>	<b>8 Worker Carry-Air™ w/ CO</b>	8a	9872-91B	Battery Compartment (Purchased after 09-2004)	22	9875-09	Relief Valve
	<b>9878-40</b>	<b>8 Worker Wall-Air™ w/ CO</b>	9	9800-74	Tap Bolt	23		Coupler (See Page 49)
1	9872-95	AC to DC Power Supply	10	9800-62	Flat Washer	24	9865-17	CO Monitor Bracket (Wall-Air™)
2	9872-92	Sensor Cover	11	9500-67	K-Nut	25	9872-21	CO Monitor Bracket (Carry-Air™)
3	9875-14	Poly Flow Tubing	12	9879-09	Street Elbow	26	9872-85	Receptacle Cap
4	9872-69	CO Sensor	13	9865-06C	Filter Panel Plate	27	9872-17	Elbow
5	9872-25	Flow Meter	14	9871-01D	Piezo Alarm	28	9878-10	Manifold Block
6	9872-02B	CO Monitor for Wall-Air™ (Includes 1, 2, 4, 6-8)	15	9871-01N	Alarm Cover	29	9000-28	Chrome Hex Bushing
	9872-02BC	CO Monitor for Carry-Air™ (Includes 1, 2, 4, 6-8)	16	9865-05C	Bracket Assembly	30	9000-12B	Hex Bushing
7	9871-01F	Battery	17	9878-12	Male Plug	31	9878-16	Union Elbow
8	9872-91	Battery Compartment Cover (Not sold separately) <b>NO LONGER AVAIL.</b>	18	9878-11	Brass Nipple	32	9872-18	Adapter
	9872-91A	Battery Compartment (Purchased before 09-2004) <b>NO LONGER AVAIL.</b>	19	9875-12	Grommet	33	9872-14B	Male Luer
			20	9872-24	1/4" x 2" Nipple			
			21	9872-27	Street Tee, Brass			