



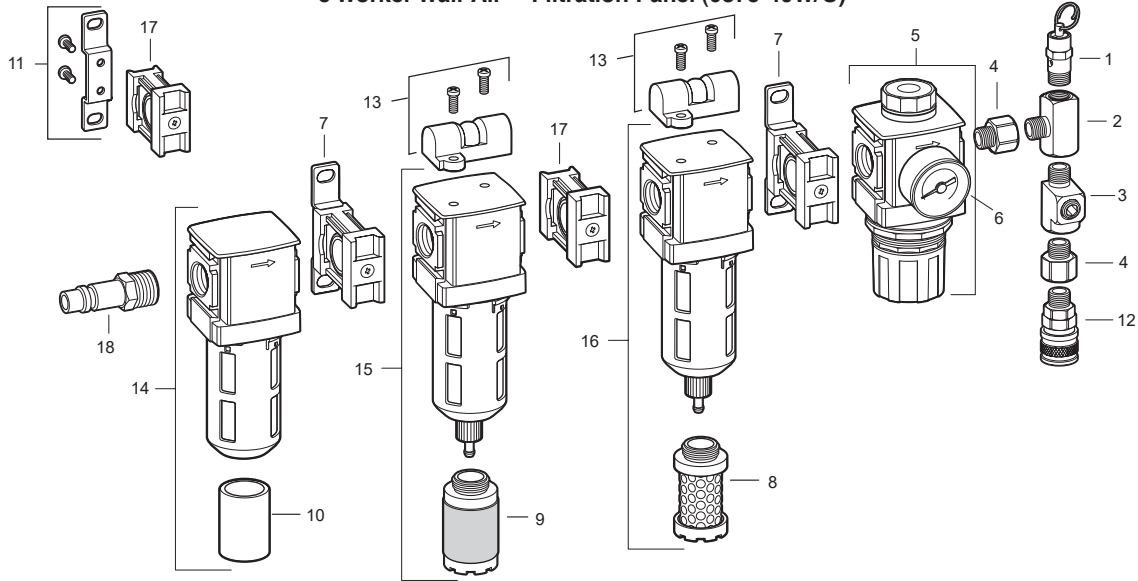
**PRODUCT:**

**BREATHING AIR FILTRATION PANELS  
(5 WORKERS)**

**PART NUMBER:**

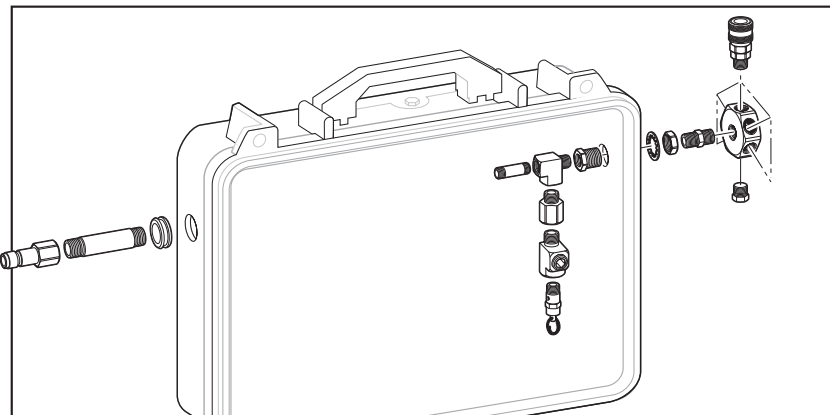
**9875-W/O (CARRY-AIR™ W/O CO MONITOR)  
9875-40W/O (WALL-AIR™ W/O CO MONITOR)**

**5 Worker Wall-Air™ Filtration Panel (9875-40W/O)**



**5 Worker Carry-Air™ (9875W/O)**

*See Following Page for Part Numbers & Descriptions*



KEY	PART #	DESCRIPTION	KEY	PART #	DESCRIPTION	KEY	PART #	DESCRIPTION
	<b>9875-W/O</b>	<b>5 Worker Carry-Air™ w/o CO</b>	8	9872-33	.003 Micron Filter Element Kit	16	9875-05	3rd Stage Carbon Filter Assembly
	<b>9875-40W/O</b>	<b>5 Worker Wall-Air™ w/o CO</b>	9	9872-32	.01 Micron Filter Element	17	9872-07	Joiner Set (w/o Bracket)
1	9875-09	Relief Valve	10	9872-31	5 Micron Filter Element	18	9700-72B	Male Plug
2	9875-23	Branch Tee	11	9872-64	T-Bracket		9872-50	Filter Replacement Kit (Includes 8, 9, 10(x2))
3	9872-27	Street Tee Brass (LP)	12		Coupler (See Page 49)			
4	9875-25	Adapter Brass (LP)	13	9875-46A	Indicator			
5	9875-06	Regulator w/ Gauge			<b>Parts and Accessories</b>			
6	9875-08	Gauge	14	9875-03	1st Stage Pre-Filter Assembly			
7	9860-41	Joiner Set (w/ Bracket)	15	9875-04	2nd Stage Coalescing Filter			