



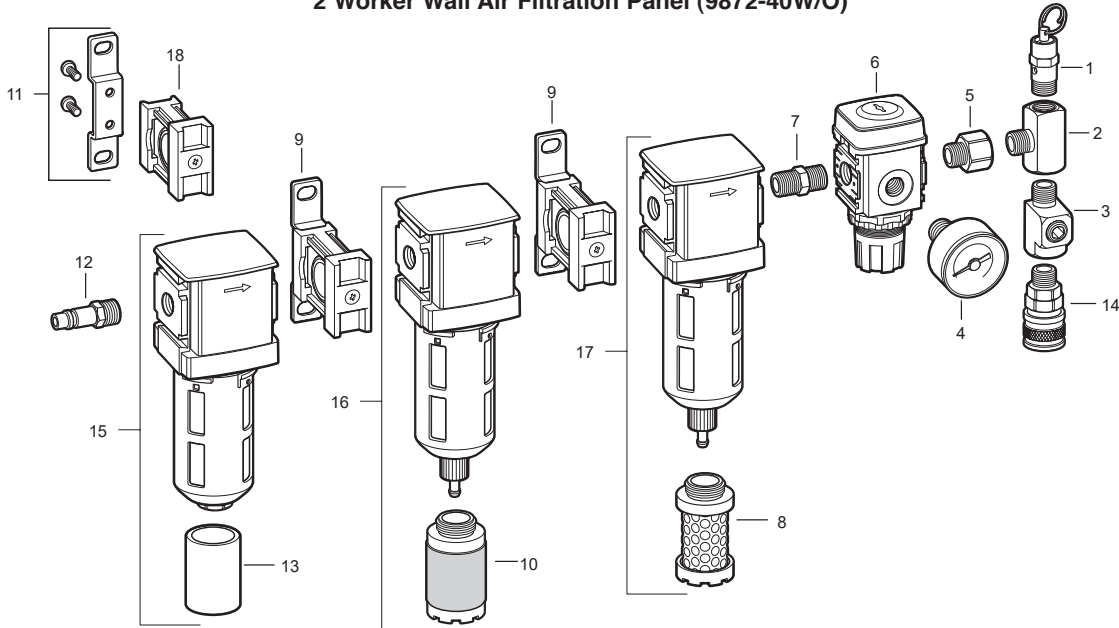
PRODUCT:

**BREATHING AIR FILTRATION PANELS
(2 WORKERS)**

PART NUMBER:

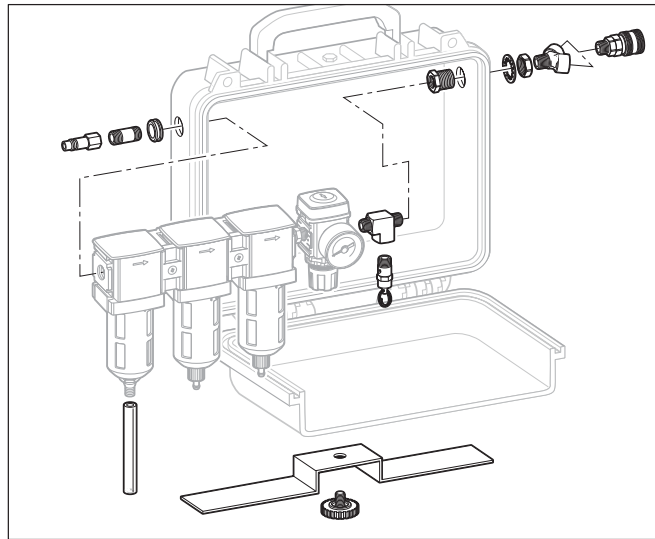
**9872-W/O (CARRY-AIR™ W/O CO MONITOR)
9872-40W/O (WALL-AIR™ W/O CO MONITOR)**

2 Worker Wall Air Filtration Panel (9872-40W/O)



2 Worker Carry Air (9872W/O)

See Following Page for Part Numbers & Descriptions



KEY	PART #	DESCRIPTION	KEY	PART #	DESCRIPTION	KEY	PART #	DESCRIPTION
	9872-W/O	2 Worker Carry-Air™ w/o CO	7	9000-25	Hex Nipple			Parts and Accessories
	9872-40W/O	2 Worker Wall-Air™ w/o CO	8	9872-33	.003 Micron Filter Element	15	9872-03	1st Stage Pre-Filter Assembly
1	9875-09	Relief Valve (125 psi Set)	9	9860-41	Joiner Set (w/Bracket)	16	9872-04	2nd Stage Coalescing Filter Assembly
2	9875-23	Brass Tee	10	9872-32	.01 Micron Filter	17	9872-05	3rd Stage Carbon Filter Assembly
3	9872-27	Street Tee	11	9872-64	T-Bracket	18	9872-07	Joiner Set (w/o Bracket)
4	9872-08	Gauge	12	8400-04A	Plug		9872-50	Replacement Filter Kit
5	9875-25	Adapter	13	9872-31	5 Micron Filter Element			
6	9872-06	Mini Regulator	14		Coupler (See Page 49)			