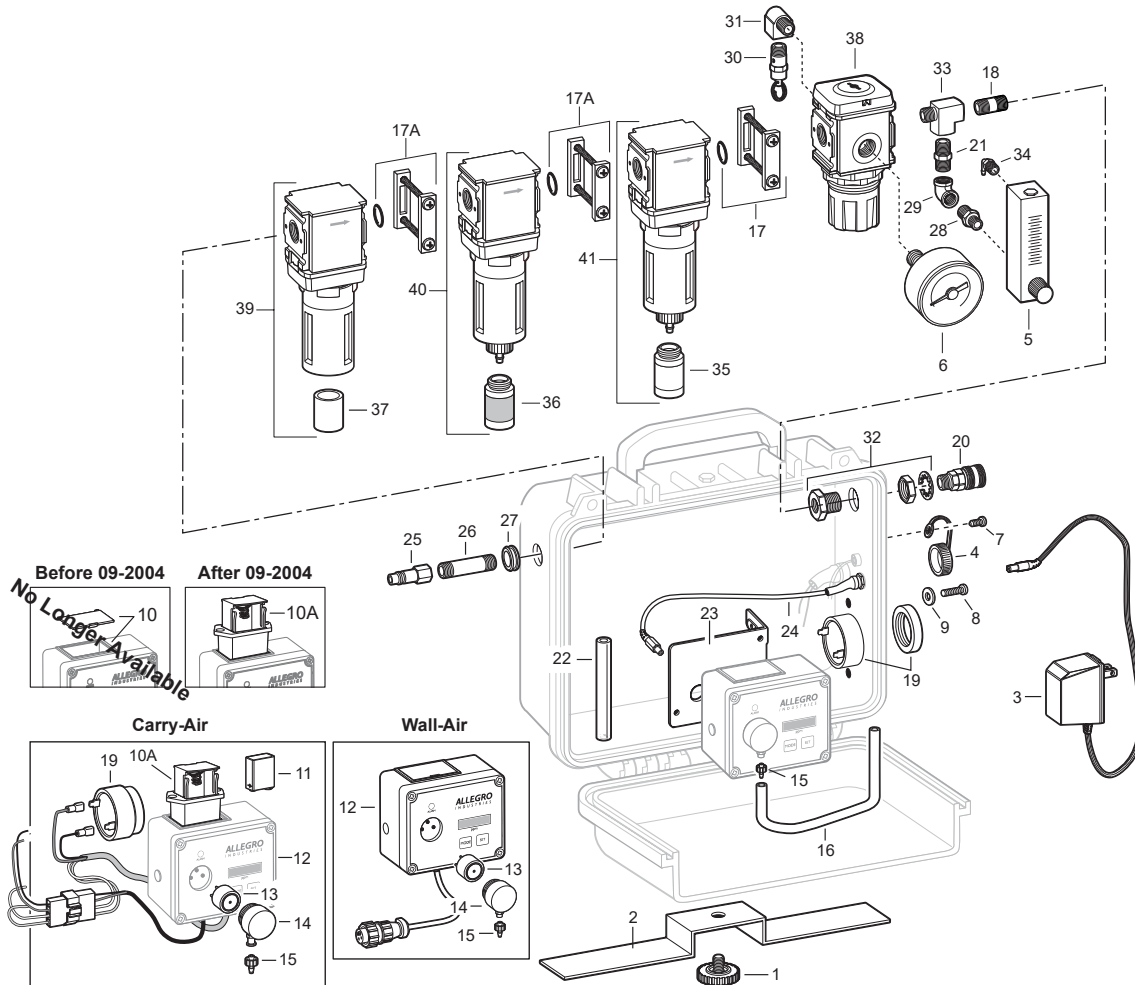




PRODUCT: BREATHING AIR FILTRATION PANELS (1 WORKER)

PART NUMBER: 9873 (CARRY-AIR™ W/ CO MONITOR)
9873-40 (WALL-AIR™ W/ CO MONITOR)



KEY	PART #	DESCRIPTION	KEY	PART #	DESCRIPTION	KEY	PART #	DESCRIPTION
	9873	1 Worker Carry-Air™ w/ CO		9872-02B	CO Monitor, Wall-Air™ (Includes 10-15)	28	9872-28	Adapter
	9873-40	1 Worker Wall-Air™ w/ CO		9872-69	CO Sensor	29	9872-26	Union Elbow
1	9872-30A	Support Stand Retainer Screw	13	9872-14B	Male Luer	30	9875-09	Relief Valve
2	9872-30	Support Stand	14	9872-14A	Poly Flow Tubing	31	9872-18	Adapter
3	9872-95	AC to DC Power Supply	15	9872-14B	Poly Flow Tubing	32	9872-11	Bulk Head
4	9872-85	Receptacle Cap	16	9872-14	Poly Flow Tubing	33	9872-27	Street Tee
5	9872-25	Flow Meter	17	9872-07MR	Joiner Set	34	9872-17	Elbow
6	9872-08	Gauge	17a		T-Bracket w/Joiner	35	9873-33	Element Replacement
7	9800-97	Self Tapping Screw	18	9871-04F	Nipple	36	9873-32	.01 Micron Element Replacement
8	9800-93	Screw	19	9871-01D	Piezo Alarm	37	9873-31	5 Micron Replacement
9	9800-94	Flat Washer	20		Coupler (See Page 49)	38	9872-06	Mini Regulator
10	9872-91	Battery Compartment Cover (not sold separately) NO LONGER AVAIL.	21	9000-25	Hex Nipple	39	9873-13	5 Micron Filter with Auto-drain
	9872-91A	Battery Compartment (Purchased before 09-2004) NO LONGER AVAIL.	22	9872-14A	Tubing	40	9873-14	.01 Micron Coalescing Filter
10a	9872-91B	Battery Compartment (Purchased after 09-2004)	23	9872-21	CO Monitor Bracket (Carry Air)	41	9873-15	.003 Micron Carbon Filter
11	9871-01F	9 Volt Battery		9865-17	CO Monitor Bracket (Wall Air)			Accessories
12	9872-02BC	CO Monitor, Carry-Air™ (Includes 10-15)	24	9872-88	DC Power Extension		9873-50	Replacement Filter Kit (Includes 35, 36, 37(x2))
			25	8400-04	Plug, Hansen			
			26	9872-20	Brass Nipple			
			27	9872-12	Grommet			