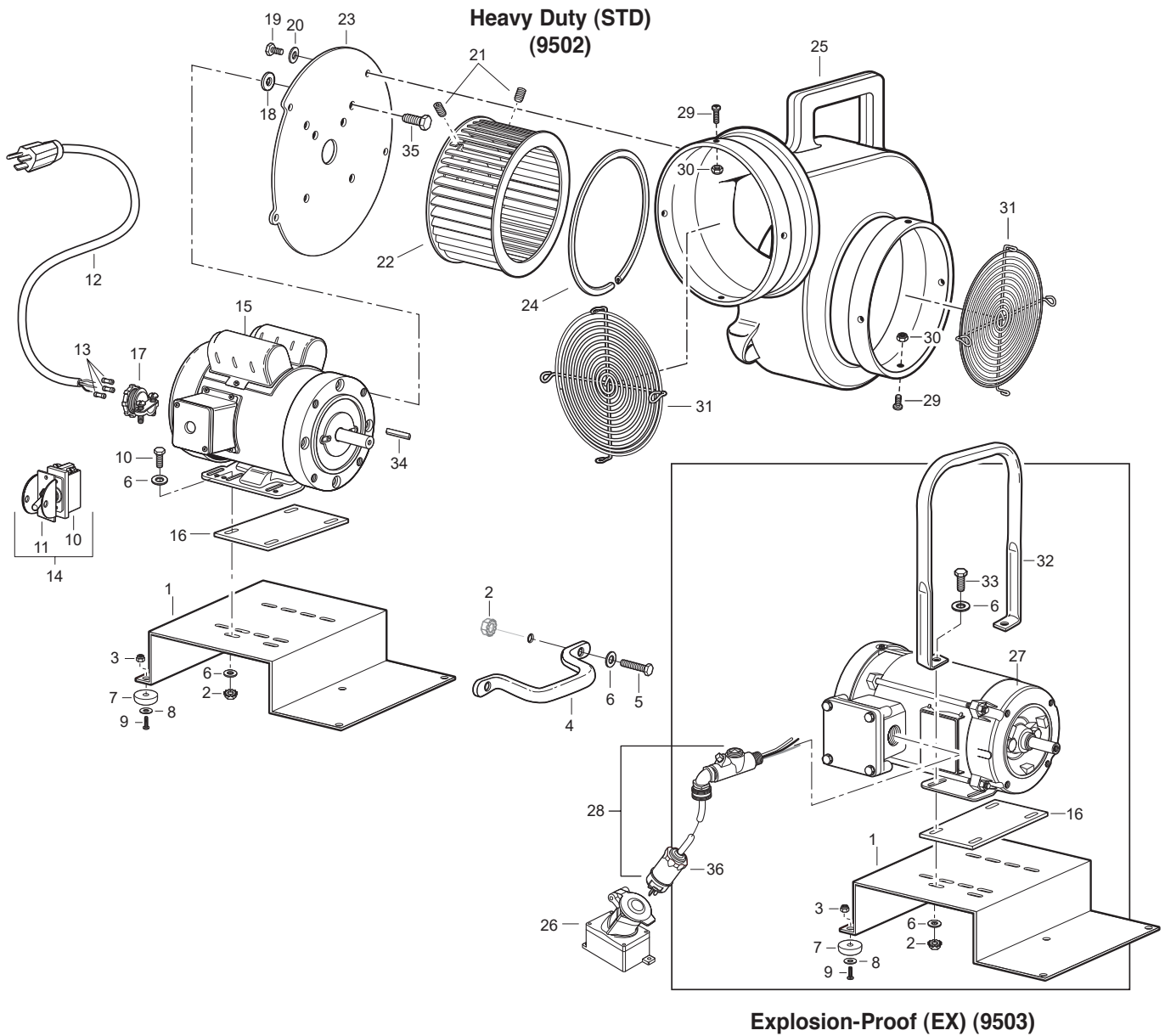




**PRODUCT: CENTRIFUGAL HEAVY DUTY BLOWERS**  
**PART NUMBER: 9502**  
**9503 (EXPLOSION-PROOF)**



KEY	PART #	DESCRIPTION	KEY	PART #	DESCRIPTION	KEY	PART #	DESCRIPTION
	<b>9502</b>	<b>Heavy Duty Centrifugal Blower</b>	12	9831-75	Electric Cord	24	9504-03B	Housing Gasket
	<b>9503</b>	<b>EX Centrifugal Blower</b>	13	9513-14	Butt End Connector	25	9504-03RM	Blower Housing (Sold separately)
1	9512-03	Base	14	9865-13A	Toggle Switch Assembly	26	9503-03	Receptacle (EX) (Sold separately)
2	9500-68	K-Nut	15	9501-06	Motor, 1 1/2 hp	27	9503-01	Motor, 3/4 hp
3	9800-64	Lock Nut, Nylon	16	9515-04	Motor Mount Pad	28	9503-20	Cord w/ Plug, 20A/125V (EX)
4	9501-09	Base Handle	17	9506-04	Cord Strain Relief	29	9800-66	Machine Screw
5	9500-82	Tap Bolt	18	9500-61	Flat Washer	30	9500-69	Lock Nut
6	9500-64	Flat Washer	19	9500-74	Bolt	31	9534-02	Fan Guard
7	9505-06	Feet	20	9500-72	Lock Washer	32	9700-05	Carrying Handle
8	9800-62	Flat Washer	21	9500-91	Socket Set Screw	33	9500-82	Tap Bolt
9	9500-75	Machine Screw	22	9501-02	Fan Wheel, Steel (STD)	34	9505-09A	Shaft Key
10	9865-13	Toggle Switch		9501-03	Fan Wheel, Aluminum (EX)	35	9500-77	Machine Screw
11	9865-14	Plate	23	9504-03A	Mounting Plate	36	9503-02	Plug, 20A/125V (EX)