



PRODUCT:

CENTRIFUGAL BLOWERS

PART NUMBER:

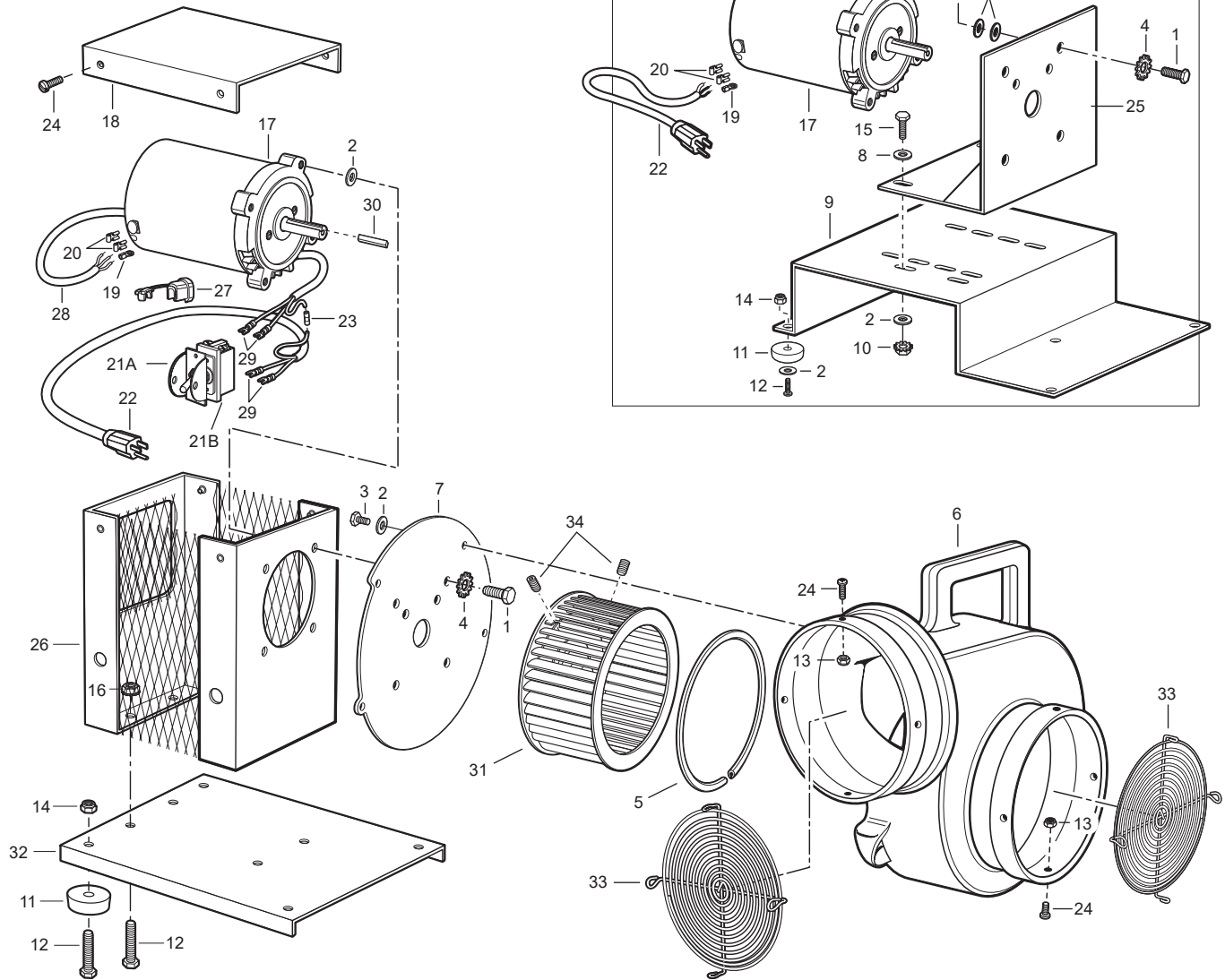
9504 (STANDARD)

9504-50 (HIGH OUTPUT)

9512 (ECONOMY) - DISCONTINUED

**Standard Blower (9504)
High Output Blower (9504-50)**

Economy Blower (9512)



KEY	PART #	DESCRIPTION	KEY	PART #	DESCRIPTION	KEY	PART #	DESCRIPTION
	9504	Standard Blower	11	9505-06	Feet	22	9512-02A	Cord
	9504-50	High Output Blower	12	9500-79	Tap Bolt	23	9500-96	Butt Connector (9504 only)
	9512	Economy Blower (DISCONTINUED)	13	9500-69	Lock Nut	24	9800-66	Machine Screw
1	9500-80	Tap Bolt	14	9800-64	Lock Nut, Nylon	25	9505-05	Motor Bracket
2	9500-64	Flat Washer	15	9500-62	Bolt	26	9500-93	Cage (Blower)
3	9500-74	Bolt	16	9500-67	K-Nut	27	9504-10	Strain Relief
4	9500-70	Lock Washer	17	9504-04	3/4 hp Motor (High Output)	28	9500-99	Motor Cord
5	9504-03B	Gasket, Cent. Housing		9512-01	1/3 hp Motor (Standard, Economy)	29	9500-94	Blue Spade
6	9504-03RM	Blower Housing	18	9500-97	Cover, Cage	30	9505-09A	Shaft Key
7	9504-03A	Mounting Plate	19	9800-76	Ground Connector	31	9501-02	Fan Wheel, Steel
8	9500-64	Flat Washer	20	9800-75	Flag Connector	32	9500-92	Blower Base Plate
9	9512-03	Base	21A	9865-13	Toggle Switch	33	9534-02	Fan Guard
10	9500-68	K-Nut	21B	9865-14	Switch Guard	34	9500-91	Socket Set Screw