

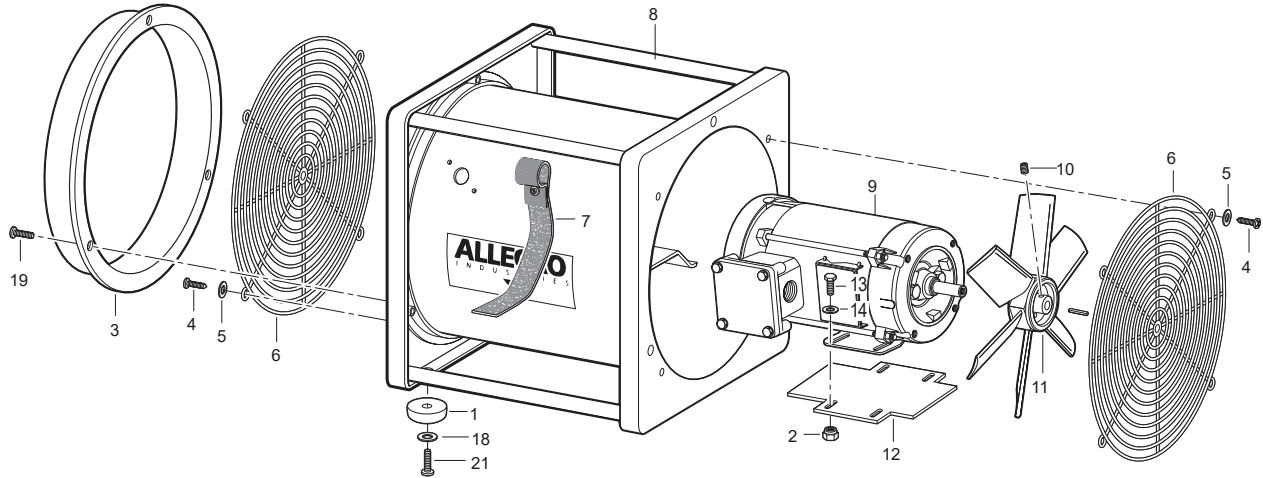


PRODUCT:

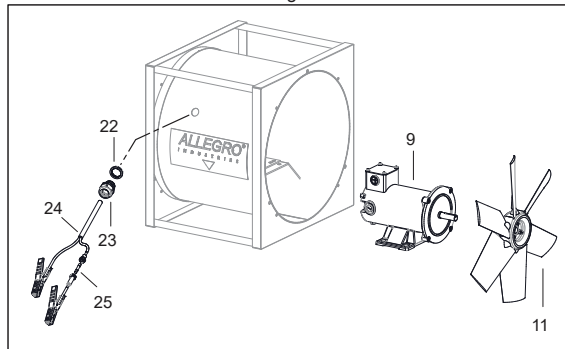
AXIAL DC & EX STANDARD METAL BLOWERS

PART NUMBER:

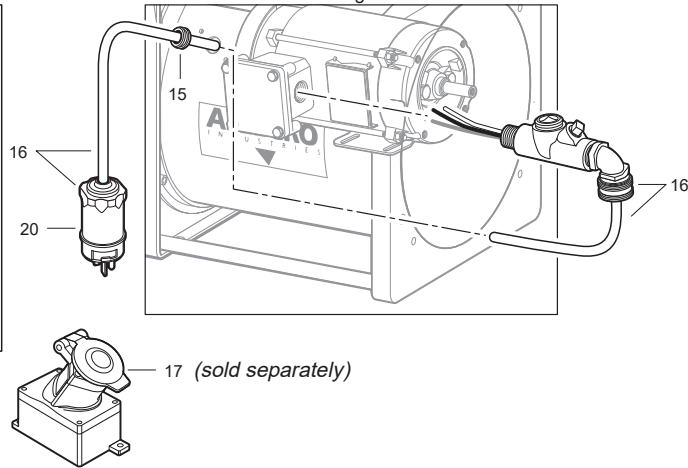
9515-DC (16" DC), 9515-01 (16" EX), 9525-01 (20" EX), 9515-50EX (16" EX HIGH OUTPUT), 9525-50EX (20" EX HIGH OUTPUT), 9515-50EXE (16" EX HIGH OUTPUT 220V/50Hz), 9525-50EXE (20" EX HIGH OUTPUT 220V/50Hz)



DC Configuration



EX Configuration



KEY	PART #	DESCRIPTION	KEY	PART #	DESCRIPTION	KEY	PART #	DESCRIPTION
	9515-DC	16" DC Standard Metal Blower	6	9515-02	Grill (16" Blower)	16	9503-20	Cord w/ Plug, 20A/125V (EX)
	9515-01	16" EX Standard Metal Blower		9525-02	Grill (20" Blower)		9503-21	Cord w/ Plug, 20A/250V (EX)
	9525-01	20" EX Standard Metal Blower	7	9515-30	Cord Restraining Handle	17	9503-03	Receptacle 20A/125V AC (sold separately)
	9515-50EX	16" EX High Output Metal Blower	8	9515-05	Chassis (16" Blower)	18	9500-63	Flat Washer
	9525-50EX	20" EX High Output Metal Blower		9525-05	Chassis (20" Blower)	19	9800-66	Machine Screw
	9515-50EXE	16" EX High Output Metal Blower, 220V/50Hz	9	9515-10EX	Motor 1/2 hp 115/230V (EX)	20	9503-02	Plug, 20A/125V
	9525-50EXE	20" EX High Output Metal Blower, 220V/50Hz		9515-51EX	Motor 1 1/2 hp ATEX 115/230V (EX)		9503-05	Plug, 20A/250V
1	9505-06	Feet		9539-16MDC	Motor 1/2 hp 39A/12V (DC)	21	9800-68	Machine Screw
2	9500-68	K-Nut	10	9513-62	Socket Set Screw	22	9556-LN	HD Lock Nut (DC)
3	9515-03R	16" Metal Duct Ring Adapter	11	9515-14EX	6 Blade Fan (EX) (for 9515-01)	23	9556-CG	HD Cord Grip (DC)
	9515-03RP	16" Plastic Duct Ring Adapter	12	9515-04	Motor Mount Pad	24	9556-40	HD Power Cord Assy. w/ Fuse (DC)
4	9500-75	Machine Screw		9525-14EX	3 Blade Fan (EX) (for 9525-01)	25	9556-F	Fuse (DC)
5	9513-16	Grommet		9539-16FDC	6 Blade Fan (DC) (for 9515-DC)			
	9525-03R	20" Metal Duct Ring Adapter	13	9500-82	Tap Bolt			
	9525-03RP	20" Plastic Duct Ring Adapter	14	9800-61	Flat Washer			
			15	9872-12	Grommet			