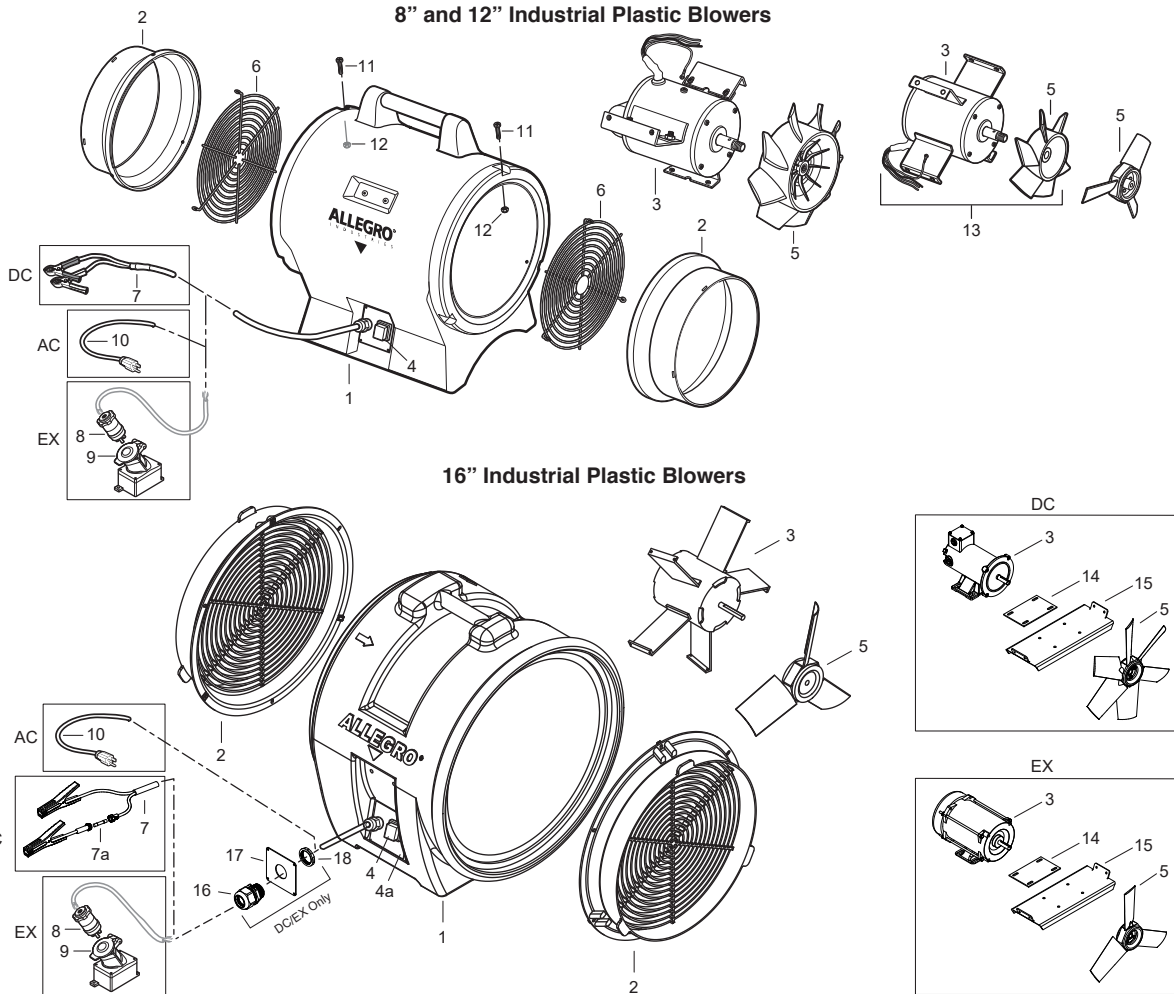




**PRODUCT: INDUSTRIAL PLASTIC BLOWERS**

**PART NUMBER: 9539-08 (8" AC)  
9539-12, 9539-12DC, 9539-12EX (12")  
9539-16, 9539-16DC, 9539-16EX (16")**



KEY	PART #	DESCRIPTION	KEY	PART #	DESCRIPTION	KEY	PART #	DESCRIPTION
	9539-08	8" Industrial Plastic Blower	4	9539-12SW	Switch (for 8" and 12" Blowers)		9539-12K	12" Blower Cord
	9539-12	12" Industrial Plastic Blower		9539-16SW	Switch (for 16" Blower)		9539-16K	16" Blower Cord
	9539-12DC	12" DC Industrial Plastic Blower	4a	9539-12SP	Switch Plate (for 8" and 12" Blowers)	11	9800-66	Machine Screw
	9539-12EX	12" EX Industrial Plastic Blower		9539-16P	Switch Plate (for 16" Blower)	12	9500-69	Lock Nut
	9539-16	16" Industrial Plastic Blower	5	9539-08F	8 Blade Fan (for 8" Blower)	13	9539-12CF	12" Blower Motor w/ Fan
	9539-16DC	16" DC Industrial Plastic Blower		9539-12F	6 Blade Fan (for 12" Blower)	14	9515-04	Motor Mount Pad
	9539-16EX	16" EX Industrial Plastic Blower		9509-06	3 Blade Fan (DC) (for 12" Blower)	15	9539-16MM	Motor Mount (for 16" Blowers)
1	9539-08A	8" Blower Housing		9509-06EX	3 Blade Fan (EX) (for 12" Blower)	16	9556-CG	HD DC Cord Grip (for 16" DC/EX only)
	9539-12A	12" Blower Housing		9539-16F	3 Blade Fan (for 16" Blower)	17	9556-SP	Switch Plate (for 16" DC/EX only)
	9539-16A	16" Blower Housing		9539-16FDC	6 Blade Fan (DC) (for 16" Blower)	18	9556-LN	HD DC Lock Nut (for 16" DC/EX only)
2	9539-08B	8" Plastic Duct Connector	6	9516-14EX	3 Blade Fan (EX) (for 16" Blower)			
	9539-12B	12" Plastic Duct Connector		9539-08G	8" Grill			
	9539-16B	16" Plastic Duct Connector		9539-12G	12" Grill			
3	9539-08C	Motor, 1/3 hp (for 8" Blower)	7	9506-40	DC Power Cord w/ Clamps (8", 12")			
	9539-12C	Motor (AC) 1 hp (for 12" Blower)		9556-40	DC Power Cord w/ Clamps (16")			
	9506-10	Motor (DC) 1/3 hp (for 12" Blower)	7a	9556-F	60 Amp Fuse			
	9513-03EX	Motor (EX) 1/3 hp (for 12" Blower)	8	9503-02	Plug 20A/125V (EX)			
	9539-16C	Motor, 1 HP (for 16" Blower)	9	9503-03	Receptacle (EX) (sold separately)			
	9539-16MDC	Motor (DC) 1/2 hp (for 16" Blower)	10	9539-08K	8" Blower Cord			
	9516-01EX	Motor (EX) 3/4 hp (for 16" Blower)						