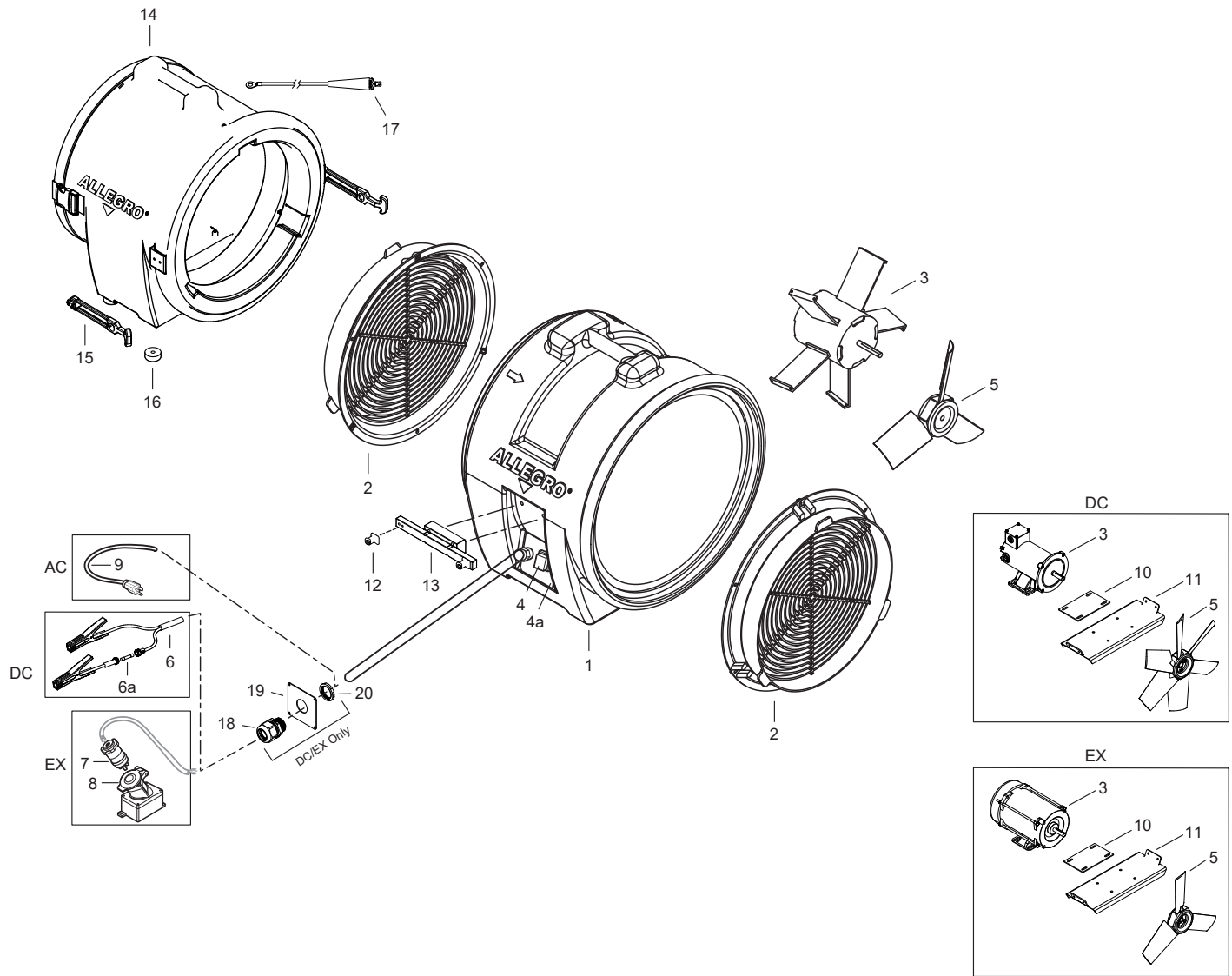




**PRODUCT: 16" AXIAL PLASTIC BLOWERS**

**PART NUMBER: 9553, 9553-15, 9553-25 (AC)  
9556, 9556-15, 9556-25 (DC)  
9558, 9558-15, 9558-25 (EX)**



KEY	PART #	DESCRIPTION	KEY	PART #	DESCRIPTION	KEY	PART #	DESCRIPTION
	9553	Axial AC Plastic Blower	3	9539-16C	Motor, 1 hp	13	9553-04	Keeper Mount
	9553-15	Axial AC Plastic Blower w/ 15' Ducting		9539-16MDC	Motor (DC) 1/2 hp	14	9553-01A	Canister w/o Ducting
	9553-25	Axial AC Plastic Blower w/ 25' Ducting		9516-01EX	Motor (EX) 3/4 hp		9553-01	Canister w/ 15' Ducting
	9556	Axial DC Plastic Blower	4	9539-16SW	Switch		9553-02	Canister w/ 25' Ducting
	9556-15	Axial DC Plastic Blower w/ 15' Ducting	4a	9539-16P	Switch Plate		9558-01	Canister w/ 15' EX Ducting
	9556-25	Axial DC Plastic Blower w/ 25' Ducting	5	9539-16F	3 Blade Fan		9558-02	Canister w/ 25' EX Ducting
	9558	Axial EX Plastic Blower		9539-16FDC	6 Blade Fan (DC)	15	9553-08AB	Draw Latch Kit Assembly
	9558-15	Axial EX Plastic Blower w/ 15' Ducting		9516-14EX	3 Blade Fan (EX)	16	9505-06	Rubber Feet
	9558-25	Axial EX Plastic Blower w/ 25' Ducting	6	9556-40	DC Power Cord w/ Clamps	17	9558-GW	Ground Wire w/ Clip (for 9558-01, 9558-02 only)
	1	9539-16A Blower Housing	6a	9556-F	60 Amp Fuse	18	9556-CG	HD DC Cord Grip (for 9556, 9558 only)
	2	9539-16B Plastic Duct Connector	7	9503-02	Plug 20A/125V (EX)	19	9556-SP	Switch Plate (for 9556, 9558 only)
			8	9503-03	Receptacle (EX) (Sold separately)	20	9556-LN	HD DC Lock Nut (for 9556, 9558 only)
			9	9539-16K	16" Blower Cord			
			10	9515-04	Motor Mount Pad			
			11	9539-16MM	Motor Mount			
			12	9553-08C	Draw Latch Keeper			