

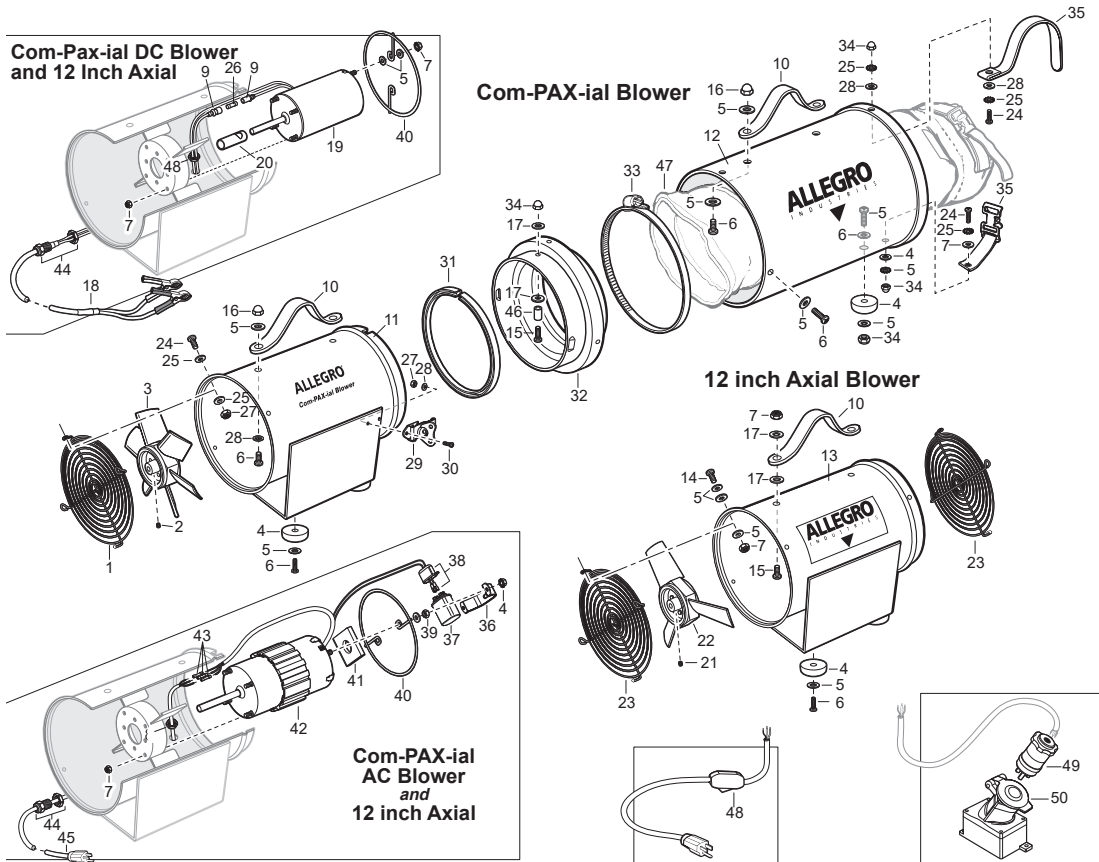


PRODUCT:

COM-PAX-IAL AND STANDARD METAL BLOWERS

PART NUMBER:

**9534, 9534-15, 9534-25 (COM-PAX-IAL AC)
 9537, 9537-15, 9537-25 (COM-PAX-IAL DC)
 9509, 9509-50 (STANDARD AC)
 9509-01 (STANDARD EX), 9529 (STANDARD DC)**



KEY	PART #	DESCRIPTION	KEY	PART #	DESCRIPTION	KEY	PART #	DESCRIPTION
	9534	AC Metal Com-Pax-ial Blower	12	9534-15A	15'/25' Duct Canister	32	9534-15R	Adapter Ring
	9534-15	AC Metal Com-Pax-ial Blower w/ 15' Ducting	13	9509-05	Standard, EX, DC Housing	33	9514-01B	Duct Clamp
	9534-25	AC Metal Com-Pax-ial Blower w/ 25' Ducting	14	9509-55	High Output Housing	34	9800-89	Acorn Cap Nut (2)
	9537	DC Metal Com-Pax-ial Blower	15	9500-79	Bolt	35	9514-01C	Strap & Hook
	9537-15	DC Metal Com-Pax-ial Blower w/ 15' Ducting	16	9500-67	K-Nut	36	9534-09	Capacitor Clamp
	9537-25	DC Metal Com-Pax-ial Blower w/ 25' Ducting	17	9800-62	Flat Washer	37	9513-63	Capacitor
	9509	12" Axial Blower (STD)	18	9506-40	Electric Cord w/Clamp	38	9513-64	Capacitor Boot
	9509-50	12" Axial Blower (High Output)	19	9506-10	Motor (DC) 1/3 hp	39	9800-91	Spacer
	9509-01	12" Axial Blower (EX)	20	9513-61	Retaining Sleeve	40	9513-09	Motor Clamp Ring (Only for Com-PAX-ial)
1	9534-02	Fan Guard	21	9500-91	Socket Set Screw	41	9534-08	Capacitor Pad
2	9500-91	Socket Set Screw	22	9509-06	Fan, STD & DC	42	9513-03	Motor (STD), Com-PAX-ial 12" 1/3 hp
3	9534-05	6 Blade Fan		9509-56HO	Fan, High Output		9509-53	Motor (H.O.) 12" 1/2 hp
4	9505-06	Feet		9509-06EX	Fan, EX		9513-03EX	Motor (EX) 12" 1/3 hp (w/ Cord)
5	9500-63	Flat Washer	23	9509-02	Fan Guard	43	9800-92	Wire Connector
6	9800-66	Machine screw	24	9800-84	Screw (2)	44	9534-07	Strain Relief
7	9500-69	Lock Nut	25	9800-85	Flat Washer (2)	45	9512-02A	Cord (STD AC)
8	9513-12	Grommet (Obsolete - replaced w/ #44)	26	9506-11	Fuse	46	9800-98	Cable Clip
9	9506-42	Fuse Holder	27	9800-87	Lock Nut	47	9500-15A	15' Ventilation Ducting
10	9513-07	Handle	28	9500-71	Lock Washer (2)	48	9500-25A	25' Ventilation Ducting
11	9534-04	AC and DC Chassis	29	9534-15D	Latch	49	9515-07	High Output Cord
			30	9800-86	Machine Screw	50	9503-02	Plug 20A/125V (EX)
			31	9534-10	Vinyl Trim		9503-03	Receptacle (EX) (Sold separately)