

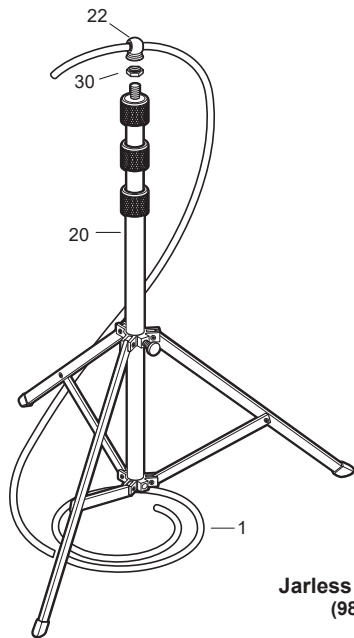


**PRODUCT:**

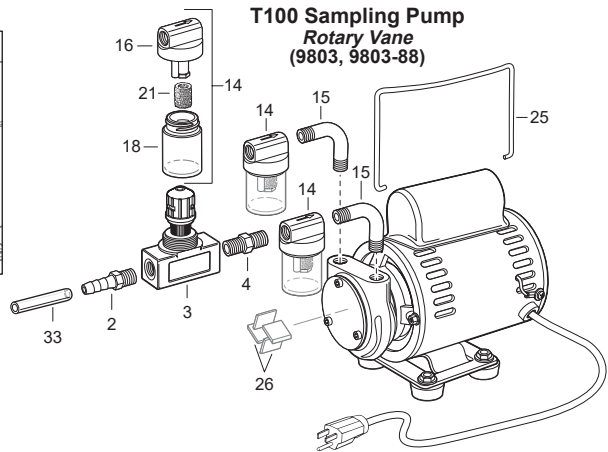
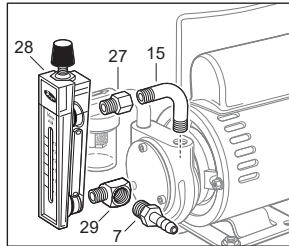
**SAMPLING PUMPS**

**PART NUMBER:**

**9801 (JARLESS WITH STAND)**  
**9801-88 (JARLESS WITHOUT STAND)**  
**9800, 9800-88, 9803, 9803-88, 9803M, 9803-88M,**  
**9804-88, 9805, 9805-88 - DISCONTINUED**

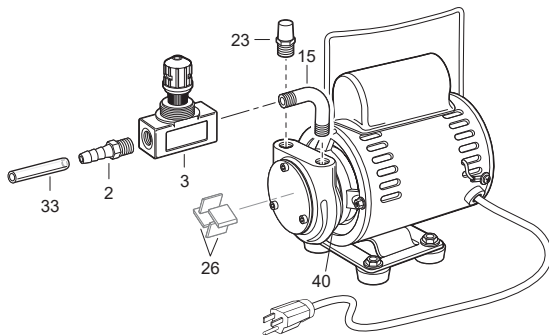


**T100M Sampling Pump**  
*Rotary Vane*  
 (9803M, 9803-88M)

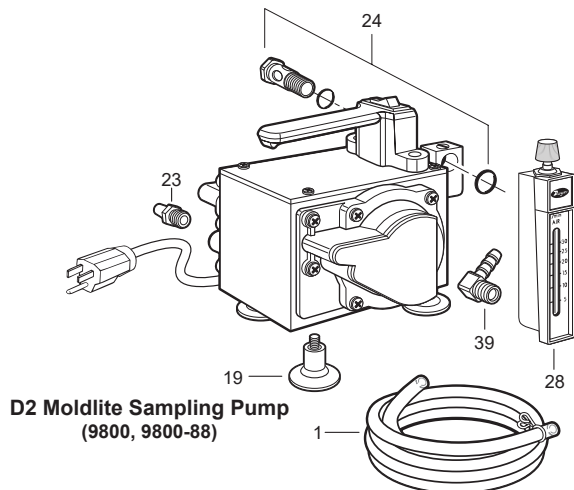
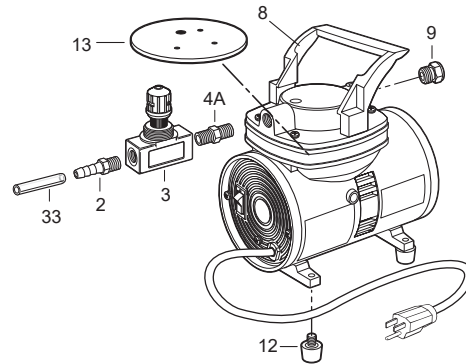


**T100 Sampling Pump**  
*Rotary Vane*  
 (9803, 9803-88)

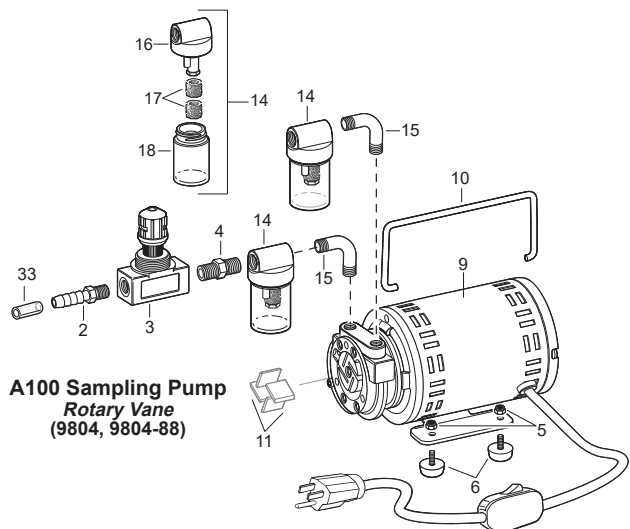
**Jarless Sampling Pump**  
 (9801, 9801-88)



**Diaphragm Sampling Pump**  
 (9805, 9805-85)



**D2 Moldlite Sampling Pump**  
 (9800, 9800-88)

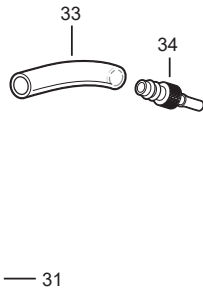
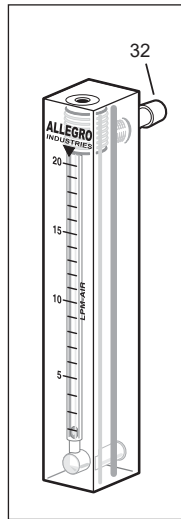


**A100 Sampling Pump**  
*Rotary Vane*  
 (9804, 9804-88)

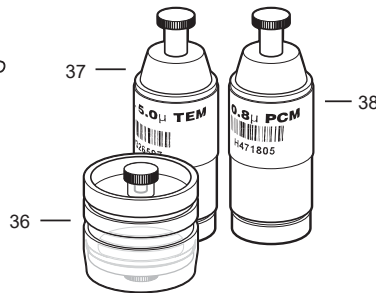


|                     |  |
|---------------------|--|
| <b>PRODUCT:</b>     | <b>SAMPLING PUMP ACCESSORIES</b>   |
| <b>PART NUMBER:</b> | <b>9804-03 (FLOW METER)<br/>9804-14, 9804-16, 9804-17 (LEAD, PCM, TEM CASSETTES)<br/>9804-20, 9804-21 (M2 CASSETTES)</b> |

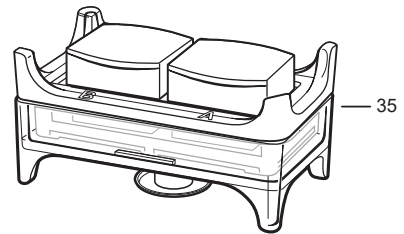
### Flow Meters



### Cassettes



### M2



| KEY | PART #   | DESCRIPTION  | KEY | PART #    | DESCRIPTION         | KEY | PART #    | DESCRIPTION   |
|-----|----------|--|-----|-----------|---------------------|-----|-----------|---|
|     | 9800     | D2 Moldlite Sampling Pump w/ Stand (DISCONTINUED)        | 4   | 9804-22   | Hex Nipple          | 25  | 9803-05   | Handle  |
|     | 9801     | Jarless Sampling Pump w/ Stand                           | 4a  | 9805-22   | Hex Nipple          | 26  | 9803-30S  | Vanes (Set of 4)  |
|     | 9801-88  | Jarless Sampling Pump w/o Stand                          | 5   | 9804-69   | Acorn Nut           | 27  | 9803-88MC | Adapter   |
|     | 9803     | T100 Rotary Vane Sampling Pump w/ Stand (DISCONTINUED)   | 6   | 9804-06   | Rubber Feet         | 28  | 9803-88BA | Flow Meter (5-30 LPM)                                   |
|     | 9803-88  | T100 Rotary Vane Sampling Pump w/o Stand (DISCONTINUED)  | 7   | 9803-88MB | Hose Barb           | 29  | 9872-18   | Adapter   |
|     | 9803M    | T100M Rotary Vane Sampling Pump w/ Stand (DISCONTINUED)  | 8   | 9805-15   | Handle              | 30  | 9804-08C  | Stand Top Nut   |
|     | 9803-88M | T100M Rotary Vane Sampling Pump w/o Stand (DISCONTINUED) | 9   | 9805-12   | Exhaust Muffler     | 31  | 9804-03A  | Flow Meter w/o Adapter (0-20 LPM)                       |
|     | 9804     | A100 High Volume Sampling Pump w/Stand (DISCONTINUED)    | 10  | 9804-05   | Handle              | 32  | 9804-03B  | Barb  |
|     | 9804-88  | A100 Sampling Pump w/ Stand (DISCONTINUED)               | 11  | 9804-41S  | Vanes (Set of 4)    | 33  | 9804-07G  | Poly Tube (4")  |
|     | 9805     | Diaphragm Sampling Pump w/ Stand (DISCONTINUED)          | 12  | 9805-14   | Feet                | 34  | 9804-19   | Adapter   |
|     | 9805-88  | Diaphragm Sampling Pump w/o Stand (DISCONTINUED)         | 13  | 9805-13   | Diaphragm           | 35  | 9804-20   | M2 Multi-Mold Cassette (Box of 25 Cassettes/50 Samples) |
|     | 1        | 9804-07 Tubing (5 feet)                                  | 14  | 9804-71   | Muffler Assembly    |     | 9804-21   | M2 Multi-Mold Cassette (Box of 5 Cassettes/10 Samples)  |
|     | 2        | 9804-24 Hose Barb  | 15  | 9804-25   | Elbow               | 36  | 9804-14   | Lead Cassette (50/Box)                                  |
|     | 3        | 9804-04 Variable Flow Regulator                          | 16  | 9804-72   | Muffler Base        | 37  | 9804-17   | TEM Cassette (50/Box)                                   |
|     |          |  | 17  | 9804-01   | Filter Element      | 38  | 9804-16   | PCM Cassette (50/Box)                                   |
|     |          |  | 18  | 9804-02   | Filter Jar (Glass)  | 39  | 9801-L    | Barb  |
|     |          |  | 19  | 9800-54   | Feet                | 40  | 9801-06   | Filter (Foam) NOT SHOWN                                 |
|     |          |  | 20  | 9804-08   | Stand               |     | 9804-02B  | Filter Jar (Plastic)                                    |
|     |          |  | 21  | 9803-06   | Filter Element      |     |           | <b>Accessories (Not Shown)</b>                          |
|     |          |  | 22  | 9804-08B  | Stand Knob          |     | 9804-07B  | Tubing (100 Feet)                                       |
|     |          |  | 23  | 9800-52   | Exhaust Filter      |     |           |   |
|     |          |  | 24  | 9800-53   | O-ring and Fastener |     |           |   |