



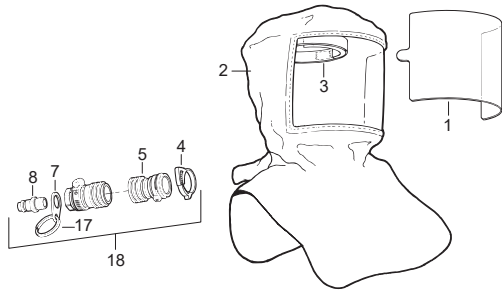
PRODUCT:

SUPPLIED AIR RESPIRATOR HOODS

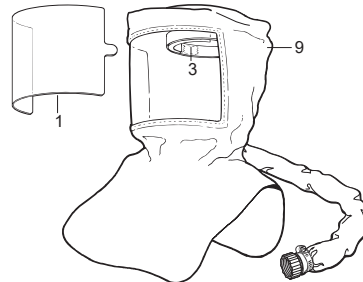
PART NUMBER:

9909-10, 9910, 9911-20, 9911-20S, 9911-10, 9911-29, 9911-29S

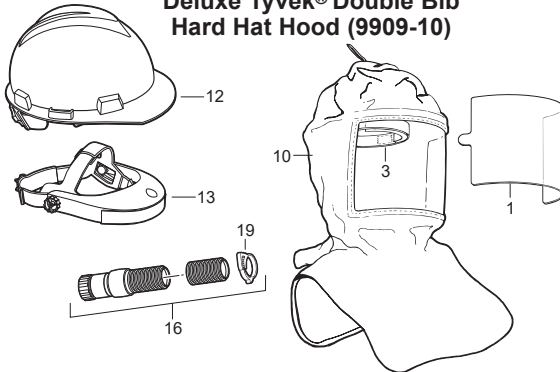
Tyvek® Hood (9910)



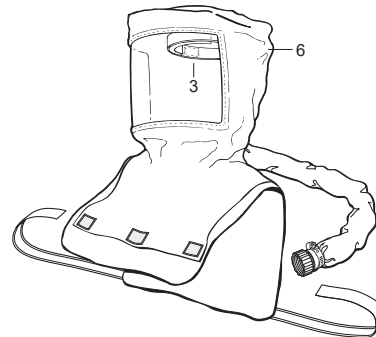
**Maintenance Free Tyvek® Hood (9911-20)
Maintenance Free Saran Hood (9911-20S)**



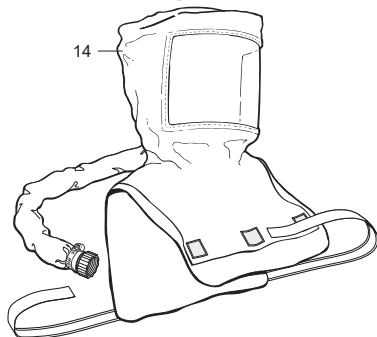
**Deluxe Tyvek® Double Bib
Hard Hat Hood (9909-10)**



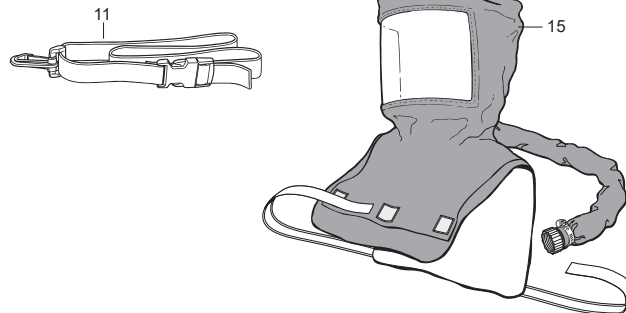
**Double Bib Maintenance Free
Tyvek® Hood (9911-10)**



**Double Bib Pharmaceutical
Maintenance Free Tyvek® Hood (9911-29)**



**Double Bib Pharmaceutical
Maintenance Free Saran Hood (9911-29S)**



KEY	PART #	DESCRIPTION	KEY	PART #	DESCRIPTION	KEY	PART #	DESCRIPTION
	9910	Disposable Hood LP	6	9911-10	Replacement Double Bib Maintenance Free Tyvek® Hood Assembly with Suspension	11	9900-02	Waist Belt Assembly w/Clip
	9911-20	Maintenance Free Tyvek® Hood				12	9909-03	Hard Hat (US)
	9911-20S	Maintenance Free Saran™ Hood	7	9900-01G	Tab	13	9910-03	Ratchet
	9909-10	Deluxe Tyvek® Double Bib Hard Hat Hood	8	9700-73B	Plug (OBAC)	14	9911-29	Replacement Double Bib Pharmaceutical Maintenance Free Tyvek® Hood
	9911-10	Double Bib Maintenance Free Tyvek® Hood	9	9911-20	Replacement Maintenance Free Tyvek® Hood Assembly with Suspension	15	9911-29S	Replacement Double Bib Pharmaceutical Maintenance Free Saran™ Hood
	9911-29	Double Bib Pharmaceutical Maintenance Free Tyvek® Hood		9911-20S	Replacement Maintenance Free Saran™ Hood Assembly with Suspension	16	9909-01A	Downtube Assembly
	9911-29S	Double Bib Maintenance Free Saran™ Hood	10	9909-10	Replacement Deluxe Tyvek® Double Bib Hard Hat Hood with Suspension Only (Downtube Not Included)	17	9900-01E	Key Ring
1	9910-25	Lens Cover Peel-Offs (10/Pkg.)					9900-15	Key Ring and Tab Assembly (#7 and #17)
2	9910-10	Replacement Hood (Includes #3)				18	9910-04	Breathing Tube Assembly
3	9910-02	Head Band Assembly				19	9909-05	Hood Clamp
4	9910-05	Hood Clamp		9909-11	Replacement Deluxe Tyvek® Double Bib Hard Hat Hood with Suspension and Downtube Assy.)			
5	9900-73B	Breathing Tube						