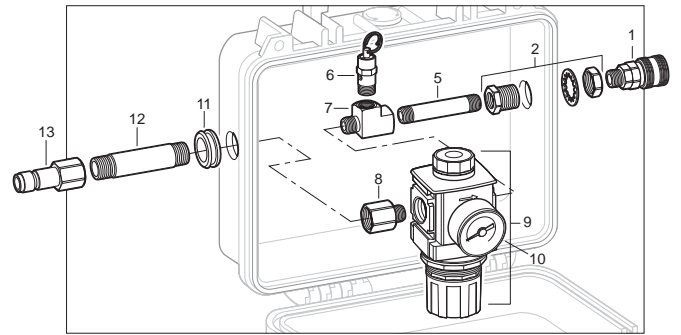
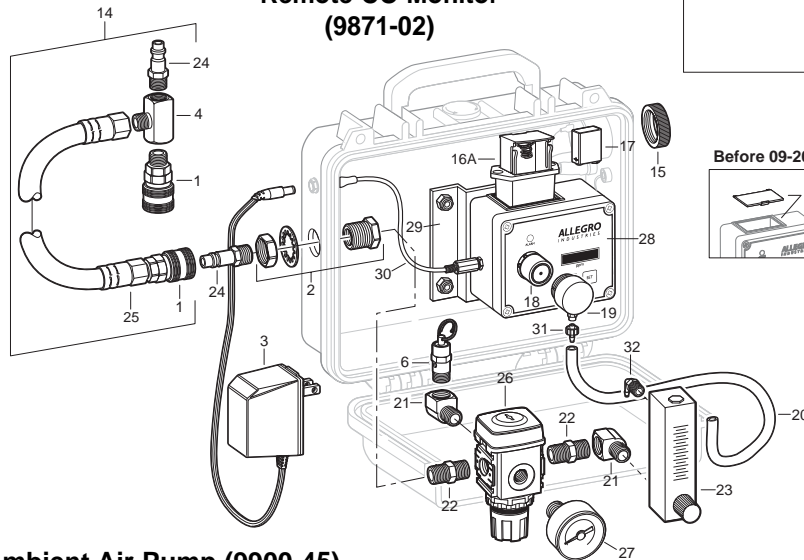


REMOTE CO MONITOR (9871-02) POINT OF ATTACHMENT (9871-03) AMBIENT AIR PUMP CO MONITOR (9900-45)

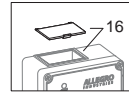
Point Of Attachment (9871-03)



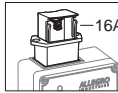
Remote CO Monitor
(9871-02)



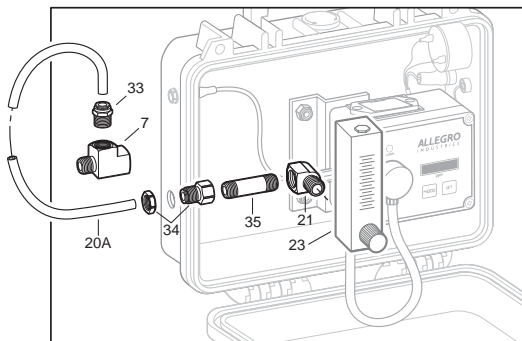
Before 09-2004



After 09-2004



Ambient Air Pump (9900-45)



Key	Part #	Description	Key	Part #	Description	Key	Part #	Description
	9871-02	Remote CO Monitor	13	9700-72C	Plug	22	9000-25	Nipple (Brass)
	9871-03	Point of Attachment		9700-73B	Plug, OBAC	23	9872-25	Flowmeter
	9800-45	Ambient Air Pump CO Monitor	14	9871-02PT	CO Sample Line Pigtail Assembly	24	8400-04A	Plug
1		Coupler (See Page 49)	15	9871-20	Alarm Bezel Nut	25	9872-43	6 foot Hose (w/o Coupler)
2	9872-11	Bulkhead	16	9872-91	Battery Compartment Cover (not sold separately)	26	9872-06	Mini Regulator
3	9872-95	AC to DC Power Supply		9872-91A	Battery Compartment (Purchased before 09-2004)	27	9872-08	Gauge
4	9875-23	Branch Tee	16A	9872-91B	Battery Compartment (Purchased after 09-2004)	28	9872-02BC	CO Monitor (Includes #16-19)
5	9871-04F	Nipple (brass)					9872-02	CO Monitor AC/DC (9900-45)
6	9875-09	Relief Valve (125 psi)	17	9871-01F	Alkaline Battery (9 volt)	29	9865-17	CO Monitor Bracket
7	9872-27	Street Tee	18	9872-69	CO Sensor	30	9872-88	DC Cable Extension
8	9872-44	Reducer (brass)	19	9872-92	CO Sensor Cover	31	9872-14B	Male Luer
9	9875-06	Regulator (w/Gauge)	20	9872-14	Poly Tubing	32	9872-17	Elbow
10	9875-08	Gauge	20A	9872-14A	Poly Tubing (9900-45)	33	9900-46	Push Connector, Male
11	9875-12	Grommet	21	9872-18	Adaptor	34	9900-47	Push Connector, Bulkhead Fit
12	9875-21	Large Nipple, LP Brass				35	9872-24	Nipple (Brass)