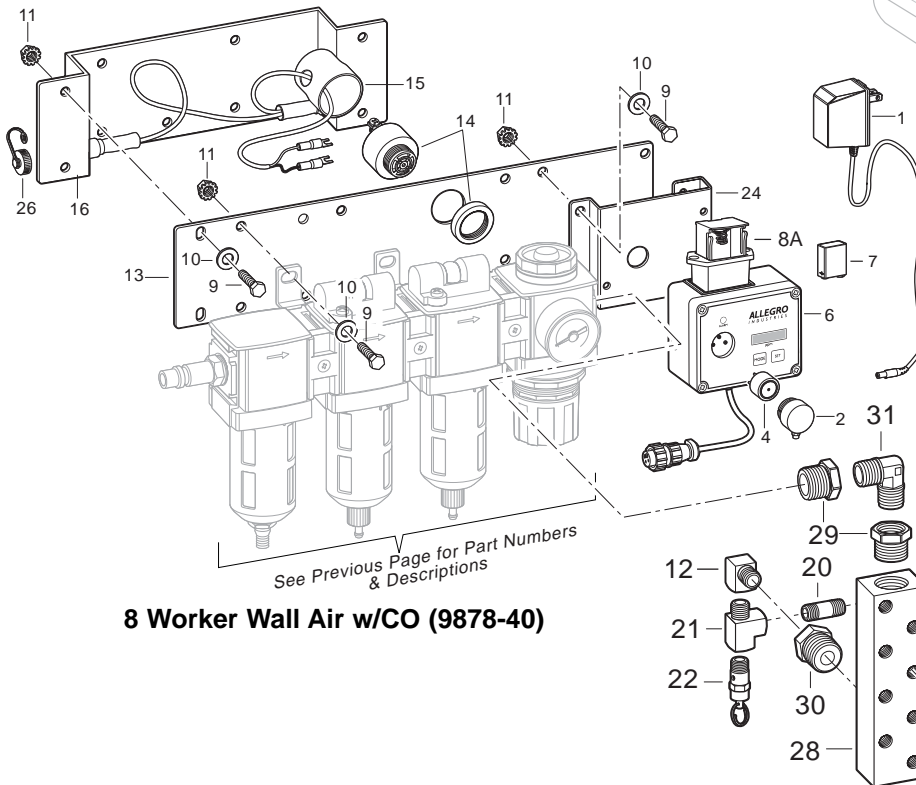
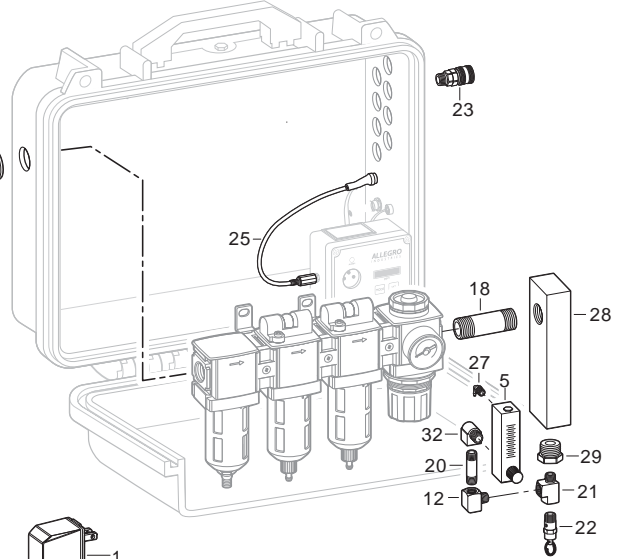
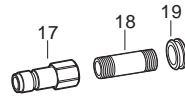
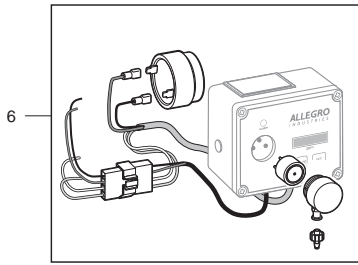


8 WORKER WALL AIR with CO MONITOR (9878-40)

8 WORKER CARRY AIR with CO MONITOR (9878)

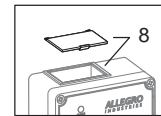
8 Worker Carry Air w/CO (9878)

Carry Air

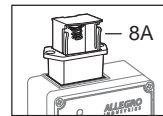


8 Worker Wall Air w/CO (9878-40)

Before 09-2004



After 09-2004



Key	Part #	Description	Key	Part #	Description	Key	Part #	Description
	9878-40	8 Worker Wall Air w/CO	8A	9872-91B	Battery Compartment (Purchased after 09-2004)	22	9875-09	Relief Valve
	9878	8 Worker Carry Air w/CO	9	9800-74	Tap Bolt	23		Coupler (See Page 49)
1	9872-95	AC to DC Power Supply	10	9800-62	Flat Washer	24	9865-17	CO Monitor Bracket (Wall Air)
2	9872-92	Sensor Cover	11	9500-67	K-Nut		9872-21	CO Monitor Bracket (Carry Air)
3	9875-14	Poly Flow Tubing	12	9879-09	Street Elbow	25	9872-88	DC Plug Extension
4	9872-69	CO Sensor	13	9865-06C	Filter Panel Plate	26	9872-85	Receptacle Cap
5	9872-25	Flow Meter	14	9871-01D	Piezo Alarm	27	9872-17	Elbow
6	9872-02B	CO Monitor for Wall Air (Includes 1, 2, 4, 6-8)	15	9871-01N	Alarm Cover	28	9878-10	Manifold Block
	9872-02BC	CO Monitor for Carry Air (Includes 1, 2, 4, 6-8)	16	9865-05C	Bracket Assembly	29	9000-28	Chrome Hex Bushing
7	9871-01F	Battery	17	9878-12	Male Plug	30	9000-12B	Hex Bushing
8	9872-91	Battery Compartment Cover (not sold separately)	18	9878-11	Brass Nipple	31	9878-16	Union Elbow
	9872-91A	Battery Compartment (Purchased before 09-2004)	19	9875-12	Grommet	32	9872-18	Adaptor
			20	9872-24	1/4" x 2" Nipple	33	9872-14B	Male Luer
			21	9872-27	Street Tee, Brass			