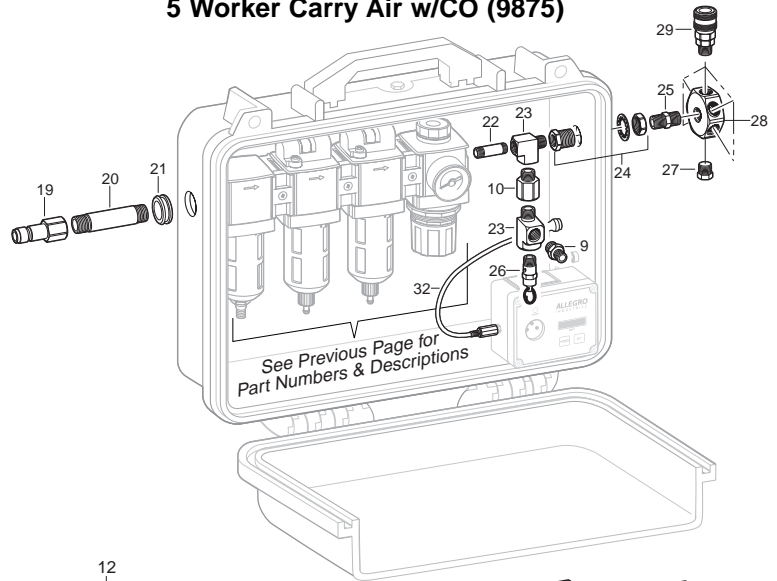
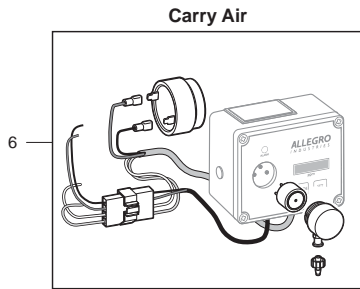
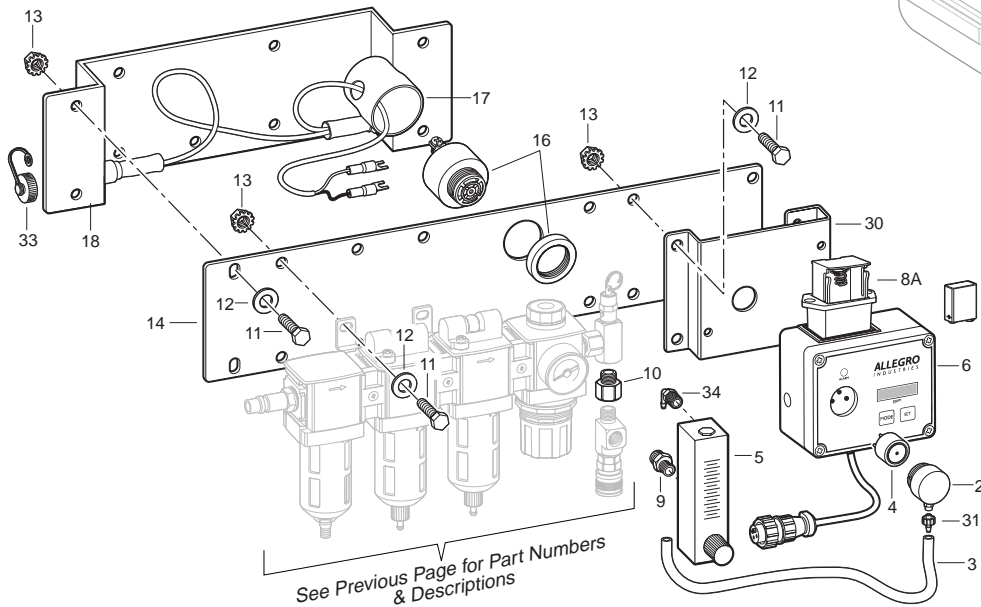


# 5 WORKER CARRY AIR with CO MONITOR (9875) 5 WORKER WALL AIR with CO MONITOR (9875-40)

## 5 Worker Carry Air w/CO (9875)



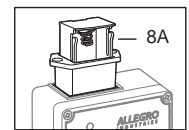
## 5 Worker Wall Air w/CO (9875-40)



Before 09-2004



After 09-2004



Key	Part #	Description	Key	Part #	Description	Key	Part #	Description
	<b>9875</b>	<b>5 Worker Carry Air w/CO</b>						
	<b>9875-40</b>	<b>5 Worker Wall Air w/CO</b>						
1	9872-95	AC to DC Power Supply	10	9875-25	Adapter	28	9875-11	5 Worker Manifold w/o Coupler or Plug
2	9872-92	Sensor Cover	11	9800-74	Tap Bolt	29		Coupler (See Page 49)
3	9875-14	Poly Flow Tubing	12	9800-62	Flat Washer	30	9872-21	CO Monitor Bracket (Carry Air)
4	9872-69	CO Sensor	13	9500-67	K-Nut		9865-17	CO Monitor Bracket (Wall Air)
5	9872-25	Flow Meter	14	9865-06C	Filter Panel Plate	31	9872-14B	Male Luer
6	9872-02B	CO Monitor for Wall Air (Includes 1, 2, 4, 6-8)	15	9872-30	Support Stand	32	9872-88	DC Plug Extension
	9872-02BC	CO Monitor for Carry Air (Includes 1, 2, 4, 6-8)	16	9871-01D	Piezo Alarm	33	9872-85	Receptacle Cap
7	9871-01F	Battery	17	9871-01N	Alarm Cover	34	9872-17	Elbow
8	9872-91	Battery Compartment Cover (not sold separately)	18	9865-05C	Bracket Assembly	35	9872-30A	Support Stand Retainer Screw
	9872-91A	Battery Compartment (Purchased before 09-2004)	19	9700-72C	Male Plug	<b>Parts and Accessories</b>		
8A	9872-91B	Battery Compartment (Purchased after 09-2004)	20	9875-21	Brass Nipple		9872-60	CO Monitor Calibration Kit (2 Gases; 1 Regulator; 1 Tubing)
9	9872-28	Reducer	21	9875-12	Grommet		9872-61	Calibration Span Gas, 17 Liter Bottle
			22	9872-24	Nipple		9872-62	Calibration Zero Gas, 17 Liter Bottle
			23	9872-27	Street Tee			
			24	9872-11	Bulkhead			
			25	9000-25	Nipple			
			26	9875-09	Relief Valve			
			27	9885-33	Hex Plug			