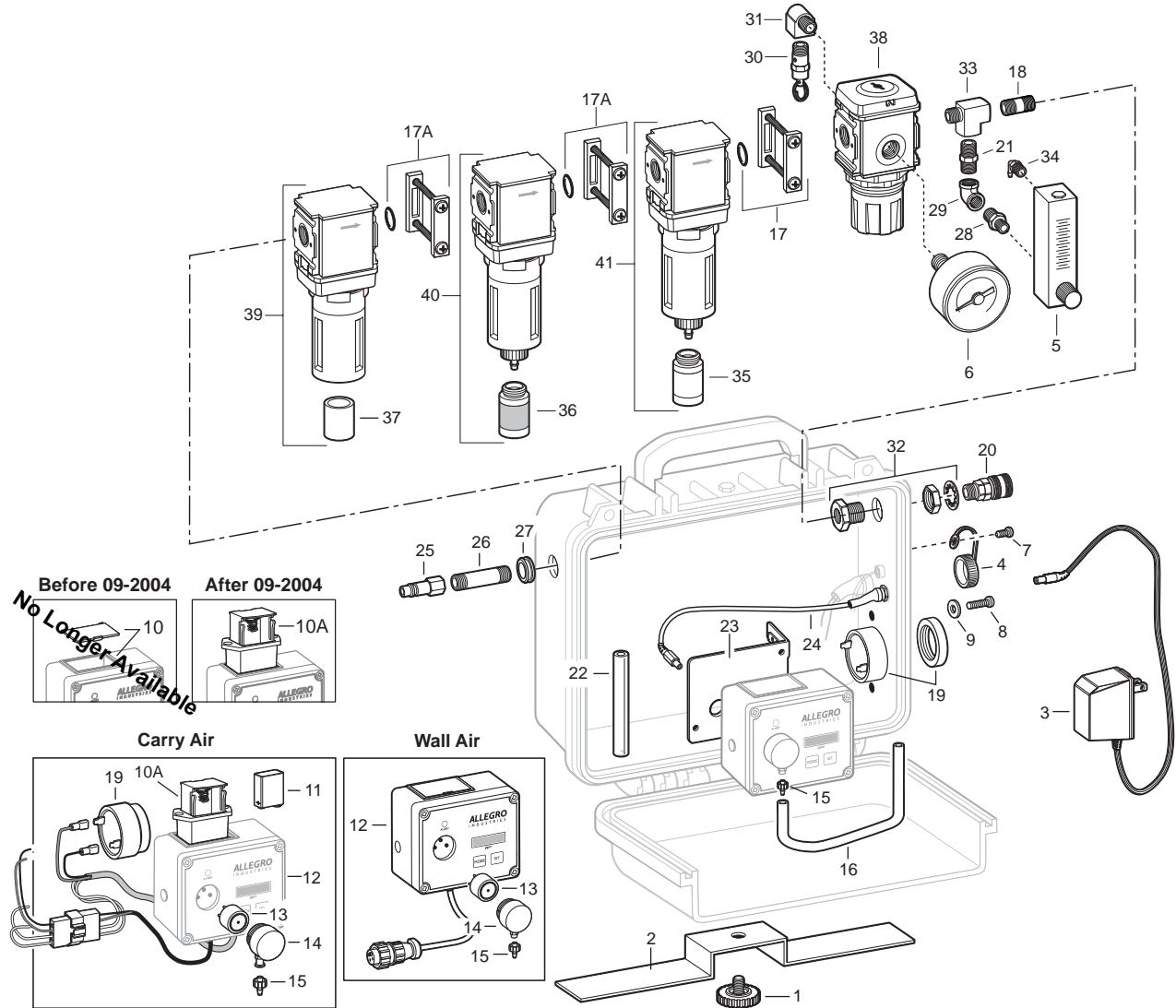


1 WORKER CARRY AIR with CO MONITOR (9873) 1 WORKER WALL AIR with CO MONITOR (9873-40)



Key	Part #	Description	Key	Part #	Description	Key	Part #	Description
	9873	1 Worker Carry Air w/CO		9872-02B	CO Monitor, Wall Air (Includes 10-15)		28	9872-28 Adaptor
	9873-40	1 Worker Wall Air w/CO		13	9872-69 CO Sensor		29	9872-26 Union Elbow
1	9872-30A	Support Stand Retainer Screw	14	9872-92	CO Sensor Cover		30	9875-09 Relief Valve
2	9872-30	Support Stand	15	9872-14B	Male Luer		31	9872-18 Adaptor
3	9872-95	AC to DC Power Supply	16	9872-14	Poly Flow Tubing		32	9872-11 Bulk Head
4	9872-85	Recepticle Cap	17	9872-07MR	Joiner Set		33	9872-27 Street Tee
5	9872-25	Flow Meter	17A		T-Bracket w/Joiner		34	9872-17 Elbow
6	9872-08	Gauge	18	9871-04F	Nipple		35	9873-33 Element Replacement
7	9800-97	Self Tapping Screw	19	9871-01D	Piezo Alarm		36	9873-32 .01 Micron Element Replacement
8	9800-93	Screw	20		Coupler (See Page 49)		37	9873-31 5 Micron Replacement
9	9800-94	Flat Washer	21	9000-25	Hex Nipple		38	9872-06 Mini Regulator
10	9872-91	Battery Compartment Cover No Longer Available (not sold separately)	22	9872-14A	Tubing		39	9873-13 5 Micron Filter with Autodrain
	9872-91A	Battery Compartment No Longer Available (Purchased before 09-2004)	23	9872-21	CO Monitor Bracket (Carry Air)		40	9873-14 .01 Micron Coalescing Filter
10A	9872-91B	Battery Compartment (Purchased after 09-2004)		9865-17	CO Monitor Bracket (Wall Air)		41	9873-15 .003 Micron Carbon Filter
11	9871-01F	9 Volt Battery	24	9872-88	DC Power Extension		Accessories	
12	9872-02BC	CO Monitor, Carry Air (Includes 10-15)	25	8400-04	Plug, Hansen		9873-50	Replacement Filter Kit Includes 35, 36, 37 (2)
			26	9872-20	Brass Nipple			
			27	9872-12	Grommet			