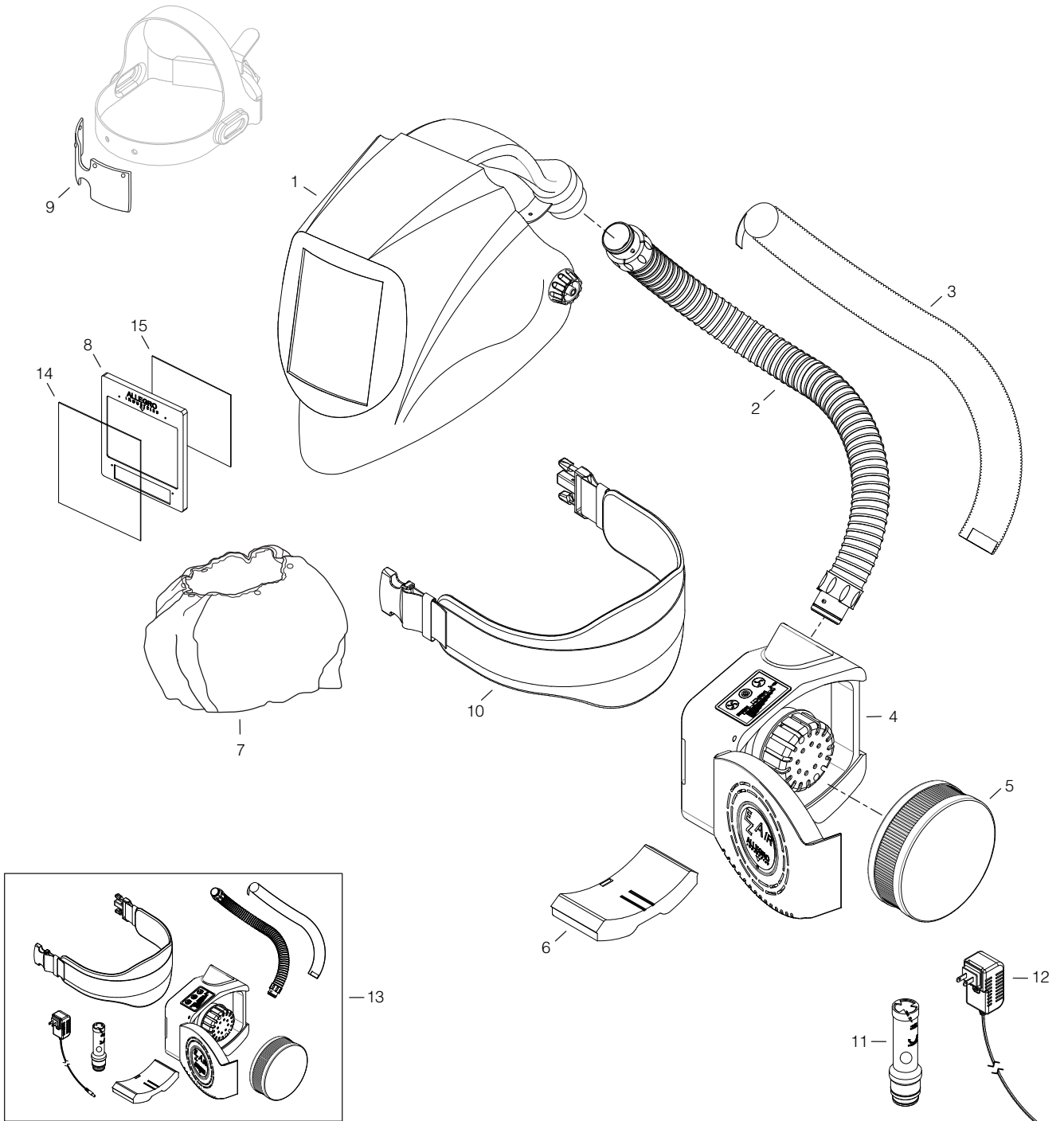


EZ AIR ECONOMY PAPR (9935) EZ AIR DELUXE PAPR (9935-DLX)



Key Part #	Description	Key Part #	Description	Key Part #	Description
9935	EZ Air Economy PAPR (Full Assembly with X54V ADF Lens)	4	9935-BLW02 Blower	11	9935-AIF Air Flow Indicator
9935-DLX	EZ Air Deluxe PAPR (Full Assembly with X81V ADF Lens)	5	9935-FIL HEPA Filter (1 each)	12	9935-CHG Battery Charger
		6	9935-BAT Battery	13	9935-BLW PAPR Assembly w/o Headtop
		7	9935-HFS Neck Shroud	14	9935-5481OCP Outer Cover Lens (10/pkg.)
1	9935-BHTX54V Economy Weld. Shield w/ X54V Lens 9935-BHTX81V Deluxe Weld. Shield w/ X81V Lens	8	9935-X54V Replacement X54V ADF Lens Kit 9935-X81V Replacement XP81V ADF Lens Kit	15	9935-5481CP Inner Cover Lens (5/pkg.)
2	9935-BT Breathing Tube w/o FR Cover	9	9935-SWB Replacement Sweat Band (2/pkg.)		
3	9935-BTFR Breathing Tube FR Cover	10	9935-WBT FR Waist Belt		