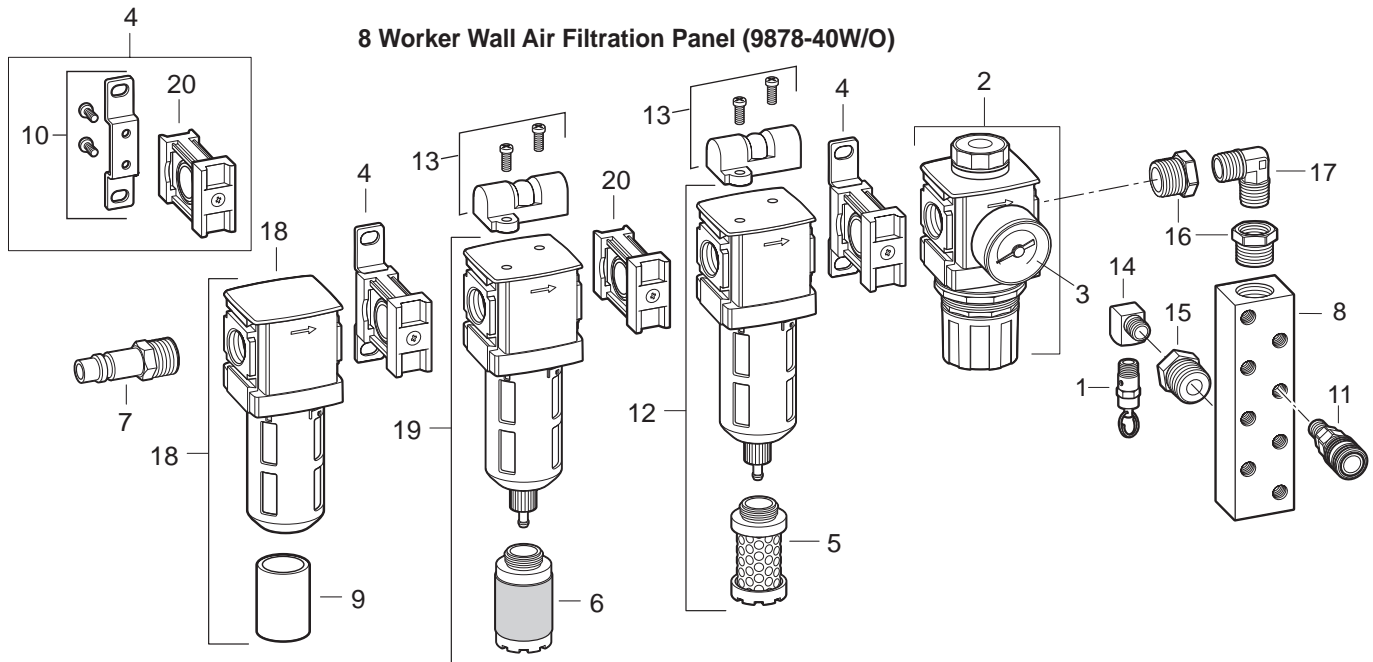
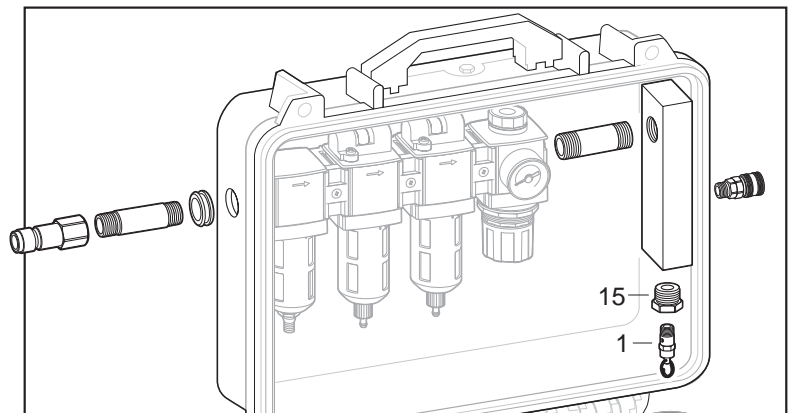


# 8 WORKER WALL AIR FILTRATION PANEL Without CO Monitor (9878-40W/O) 8 WORKER CARRY AIR Without CO Monitor (9878-W/O)



## 8 Worker Carry Air (9878W/O) (See following page for Part Numbers and Descriptions)



Key Part #	Description	Key Part #	Description	Key Part #	Description
	<b>9878-40 W/O 8 Worker Wall Air W/O CO</b>	7	9878-14 Plug, Hansen	15	9000-28 Chrome Hex Bushing
	<b>9878-W/O 8 Worker Carry Air W/O CO</b>	8	9878-10 Manifold Block	16	9878-15 Bushing
1	9875-09 Relief Valve	9	9878-31 5 Micron Filter Element	17	9878-16 Union Elbow
2	9878-06 Regulator w/gauge	10	9872-64 T-Bracket	18	9878-03 1st Stage Pre-Filter Assembly
3	9875-08 Gauge	11	Coupler (See Page 49)	19	9878-04 2nd Stage Coalescing Filter
4	9860-41 Joiner Set (w/Bracket)	12	9878-05 3rd Stage Carbon Filter Ass.	20	9872-07 Joiner Set (w/o Bracket)
5	9878-33 .003 Micron Filter Element Kit	13	9875-46A Indicator		9878-50 Filter Replacement Kit Includes 5, 6, 9 (2)
6	9878-32 .01 Micron Filter Element	14	9879-09 Street Elbow		