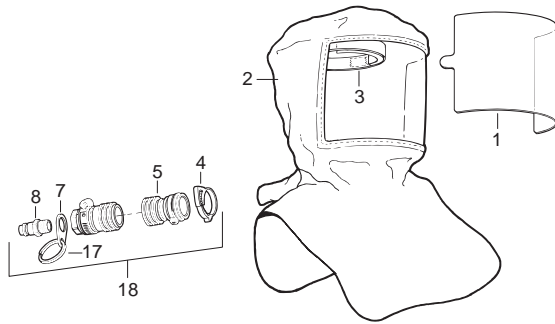


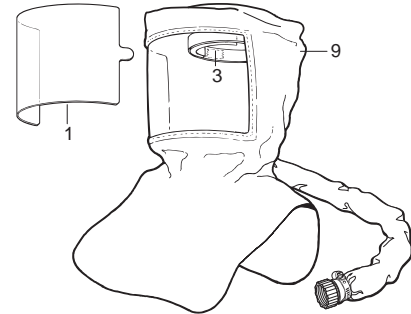
SUPPLIED AIR RESPIRATOR HOODS

(9910) (9911-20) (9911-20S) (9909-10) (9911-10) (9911-29) (9911-29S)

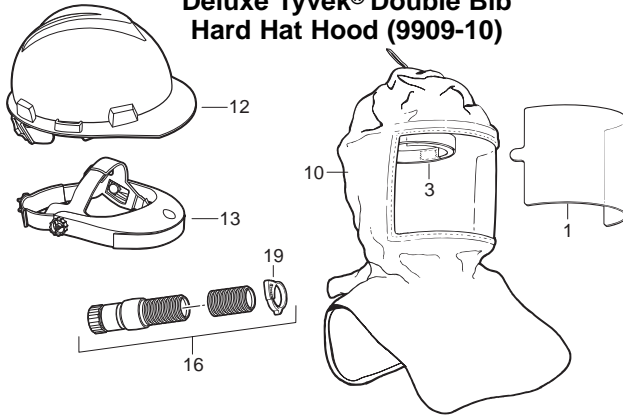
Tyvek® Hood (9910)



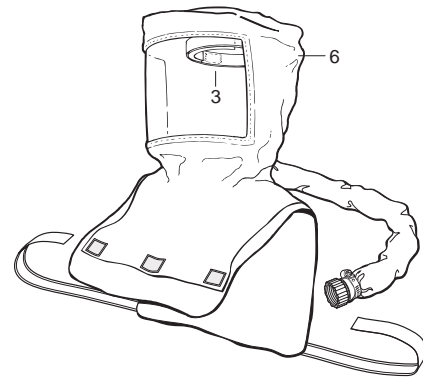
**Maintenance Free Tyvek® Hood (9911-20)
Maintenance Free Saran Hood (9911-20S)**



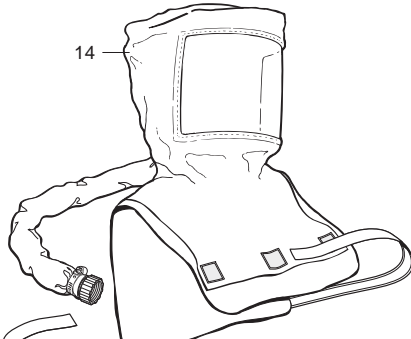
**Deluxe Tyvek® Double Bib
Hard Hat Hood (9909-10)**



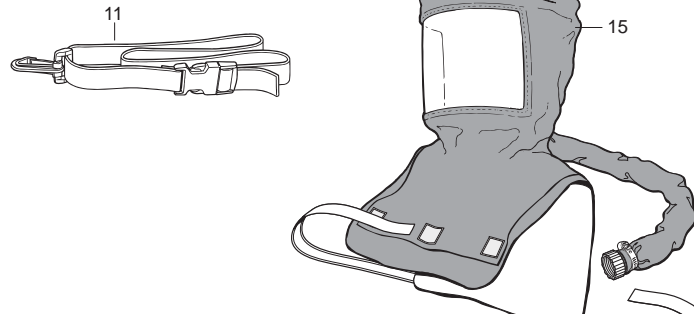
**Double Bib Maintenance Free
Tyvek® Hood (9911-10)**



**Double Bib Pharmaceutical
Maintenance Free Tyvek® Hood (9911-29)**



**Double Bib Pharmaceutical
Maintenance Free Saran Hood (9911-29S)**



Key	Part #	Description	Key	Part #	Description	Key	Part #	Description
	9910	Disposable Hood LP	6	9911-10	Replacement Double Bib Maintenance Free Tyvek® Hood Assembly with Suspension	11	9900-02	Waist Belt Assembly w/Clip
	9911-20	Maintenance Free Tyvek® Hood	7	9900-01G	Tab	12	9909-03	Hard Hat (US)
	9911-20S	Maintenance Free Saran Hood	8	9700-73B	Plug OBAC		9909-03C	Hard Hat (Canada)
	9909-10	Deluxe Tyvek® Double Bib Hard Hat Hood	9	9911-20	Replacement Maintenance Free Tyvek® Hood Assembly with Suspension	13	9910-03	Ratchet
	9911-10	Double Bib Maintenance Free Tyvek® Hood		9911-20S	Replacement Maintenance Free Saran Hood Assembly with Suspension	14	9911-29	Replacement Double Bib Pharmaceutical Maint. Free Tyvek® Hood
	9911-29	Double Bib Pharmaceutical Maintenance Free Tyvek® Hood	10	9909-10	Replacement Deluxe Tyvek® Double Bib Hard Hat Hood with Suspension Only, Downtube Not Included	15	9911-29S	Replacement Double Bib Pharmaceutical Maint. Free Saran Hood
	9911-29S	Double Bib Maintenance Free Saran Hood		9909-11	Replacement Deluxe Tyvek® Double Bib Hard Hat Hood with Suspension and Downtube Assembly	16	9909-01A	Downtube Assembly
1	9910-25	Lens Cover Peel-Offs (10 pkg.)				17	9900-01E	Key Ring
2	9910-10	Replacement Hood (Includes #3)					9900-15	Key Ring and Tab Assembly (#7 and #17)
3	9910-02	Head Band Assembly				18	9910-04	Breathing Tube Assy.
4	9910-05	Clamp, Hood				19	9909-05	Clamp, Hood
5	9900-73B	Breathing Tube						