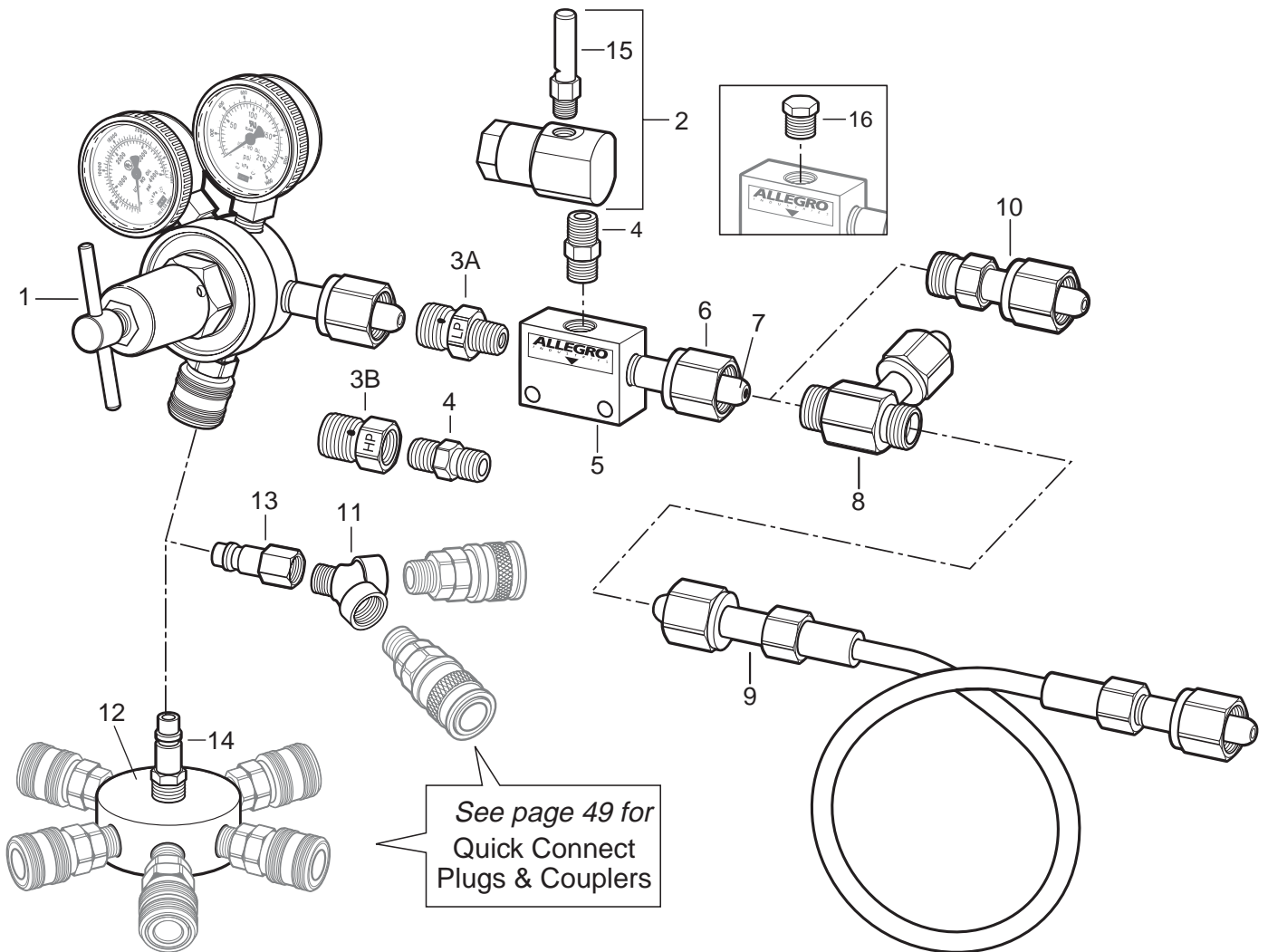
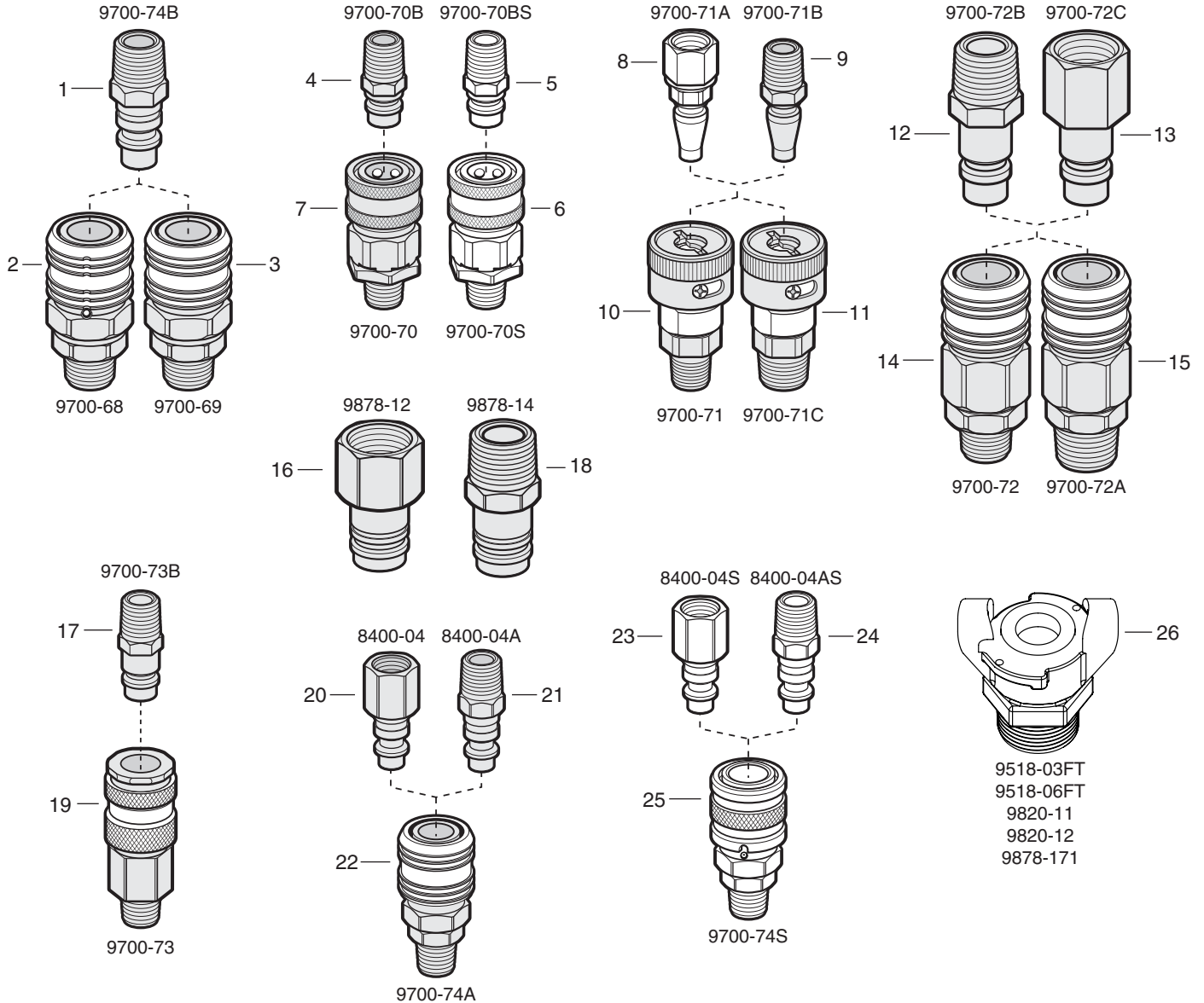


AIRLINE CASCADE (9891 Series)



Key	Part #	Description	Key	Part #	Description	Key	Part #	Description
	9891	Airline Cascade						
1	9891-01	L.P. Regulator Assy. (w/Coupler)	8	9891-03	L.P. Tee Connection	11	9872-10	Y-Connector
	9891-11	H.P. Regulator Assy. (w/Coupler)	9891-13	9891-13	H.P. Tee Connection	12	9875-11	Manifold
2	9885-09B	Alarm Assembly	9	9891-07	L.P. Flexible Pigtail (w/Check Valve)	13	8400-04	Plug, Hansen FNPT
3A	9885-44	CGA-346 Male Adaptor L.P.	9891-06	9891-06	L.P. Rigid Pigtail (w/Check Valve)	14	8400-04A	Plug, Hansen MNPT
3B	9886-44	CGA-347 Male Adaptor H.P.	9891-19	9891-19	H.P. Flexible Pigtail (w/Check Valve)	15	9885-09C	Whistle w/Orifice & Nut Assembly
4	9886-31	Hex Nipple	9891-17	9891-17	H.P. Flexible Pigtail (w/o Check Valve)	16	9886-35	Plug
5	9885-10	Manifold Block	9891-16	9891-16	H.P. Rigid Pigtail (w/o Check Valve)			
6	9885-42	CGA-346 Nut, Wrench Tight L.P.						
	9886-42	CGA-347 Nut, Wrench Tight H.P.						
7	9885-43	CGA-346 Nipple L.P.	10	9891-04	L.P. Check Valve			

QUICK CONNECT COUPLERS



Key	Part #	Description	Key	Part #	Description	Key	Part #	Description
1	9700-74B	3/8" Plug, Hansen (Steel) 3/8" MNPT	11	9700-71C	1/4" Coupler, Schrader (Brass) 3/8" MNPT	21	8400-04A	1/4" Plug, Hansen (Steel) 1/4" MNPT
2	9700-68	3/8" Coupler, Foster (Locking) (Brass) 3/8" MNPT	12	9700-72B	1/2" Plug, Hansen (Steel) 1/2" MNPT	22	9700-74A	1/4" Coupler, Hansen (Brass) 1/4" MNPT
3	9700-69	3/8" Coupler, Hansen (Brass) 3/8" MNPT	13	9700-72C	1/2" Plug, Hansen (Steel) 1/2" FNPT	23	8400-04S	1/4" Plug, Foster SS 1/4" FNPT
4	9700-70B	1/4" Plug, Snap-Tite (Brass) 1/4" MNPT	14	9700-72	1/2" Coupler, Hansen (Brass) 3/8" MNPT	24	8400-04AS	1/4" Plug, Foster SS 1/4" MNPT
5	9700-70BS	1/4" Plug, Snap-Tite SS 1/4" MNPT	15	9700-72A	1/2" Coupler, Hansen (Brass) 1/2" MNPT	25	9700-74S	1/4" Coupler, Foster SS 1/4" MNPT
6	9700-70S	1/4" Coupler, Snap-Tite SS 1/4" MNPT	16	9878-12	3/4" Plug, Hansen (Steel) 3/4" FNPT	26	9518-03FT	Crowfoot (Coupler, Chicago) 1/2" MNPT
7	9700-70	1/4" Coupler, Snap-Tite (Brass) 1/4" MNPT	17	9700-73B	1/4" Plug, OBAC (Brass) 1/4" MNPT		9518-06FT	Crowfoot (Coupler, Chicago) 1" MNPT
8	9700-71A	1/4" Plug, Schrader (Steel) 1/4" FNPT	18	9878-14	3/4" Plug, Hansen (Steel) 3/4" MNPT		9820-11	Crowfoot (Coupler, Chicago) 3/4" FNPT
9	9700-71B	1/4" Plug, Schrader (Steel) 1/4" MNPT	19	9700-73	1/4" Coupler, OBAC (Brass) 1/4" MNPT		9820-12	Crowfoot (Coupler, Chicago) 1/2" FNPT
10	9700-71	1/4" Coupler, Schrader (Brass) 1/4" MNPT	20	8400-04	1/4" Plug, Hansen (Steel) 1/4" FNPT		9878-171	Crowfoot (Coupler, Chicago) 1" FNPT