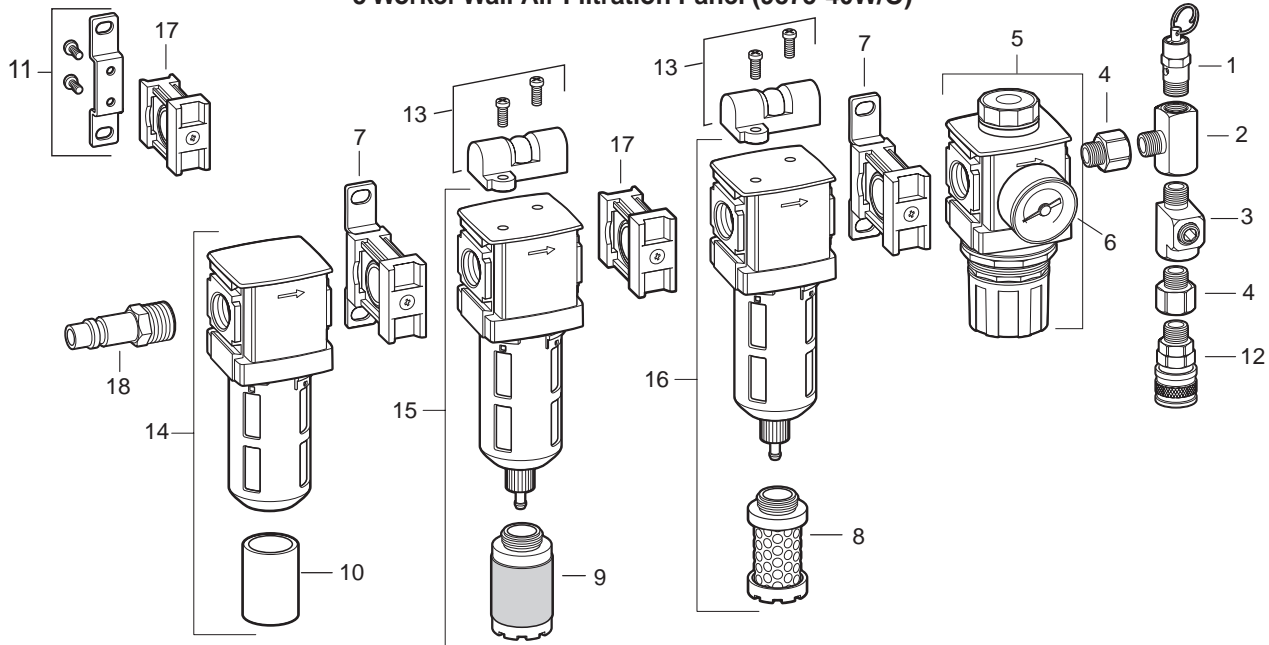


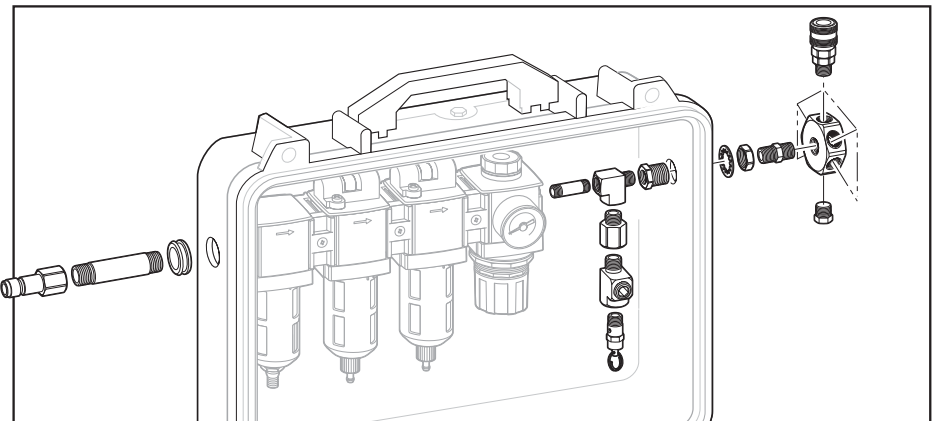
5 WORKER WALL AIR FILTRATION PANEL Without CO Monitor (9875-40W/O) 5 WORKER CARRY AIR Without CO Monitor (9875W/O)

5 Worker Wall Air Filtration Panel (9875-40W/O)



5 Worker Carry Air (9875W/O)

See Following Page for Part Numbers & Descriptions



Key Part #	Description	Key Part #	Description	Key Part #	Description
	9875-40W/O 5 Worker Wall Air	7	9860-41 Joiner Set (w/Bracket)	14	9875-03 1st Stage Pre-Filter Assembly
	9875W/O 5 Worker Carry Air	8	9872-33 .003 Micron Filter Element Kit	15	9875-04 2nd Stage Coalescing Filter
1	9875-09 Relief Valve	9	9872-32 .01 Micron Filter Element	16	9875-05 3rd Stage Carbon Filter Assembly
2	9875-23 Branch Tee	10	9872-31 5 Micron Filter Element	17	9872-07 Joiner Set (w/o Bracket)
3	9872-27 Street Tee Brass L.P.	11	9872-64 T-Bracket	18	9700-72B Male Plug
4	9875-25 Adaptor Brass L.P.	12	Coupler (See Page 49)		9872-50 Filter Replacement Kit Includes 8, 9, 10 (2)
5	9875-06 Regulator w/Gauge	13	9875-46A Indicator		
6	9875-08 Gauge		Parts and Accessories		