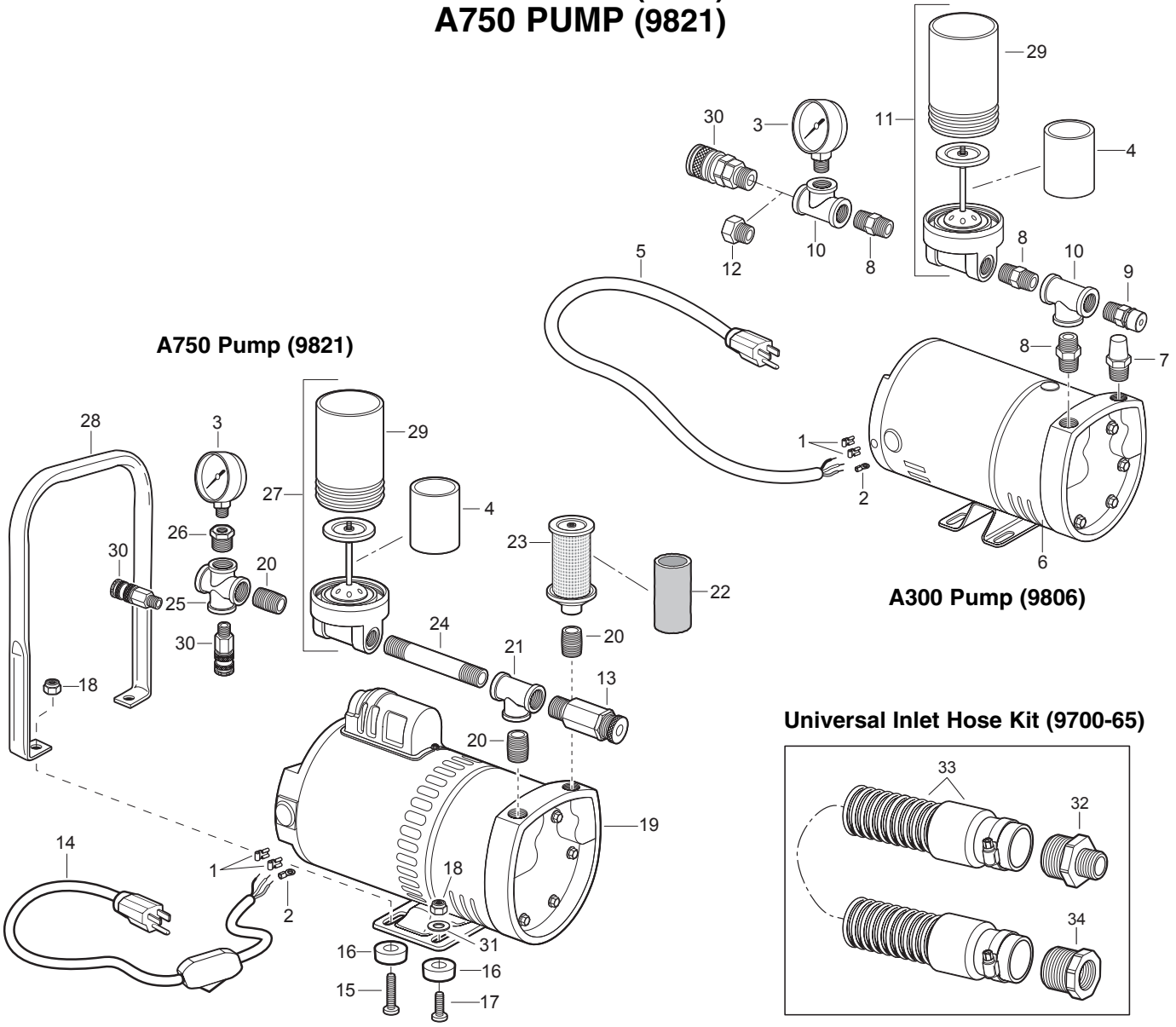
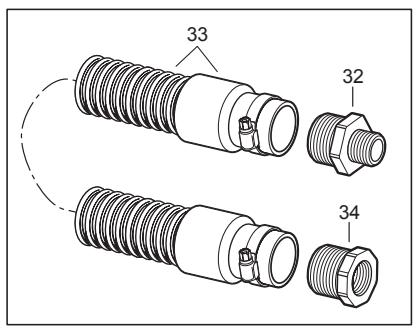


# A300 PUMP (9806) A750 PUMP (9821)



### Universal Inlet Hose Kit (9700-65)



Key	Part #	Description	Key	Part #	Description	Key	Part #	Description
	<b>9806</b>	<b>A-300 Pump</b>	16	9700-06	Rubber Feet (each)	33	9700-66	Universal Inlet Hose (50 Feet) w/Cuff
	<b>9821</b>	<b>A-750 Pump</b>	17	9800-69	Machine Screw	34	9700-60A	Bushing
	<b>9822</b>	<b>A-750TE (Totally Enclosed)</b>	18	9800-64	Nylon Lock Nut		9700-60C	Bushing for 9846-27 (Not Shown)
1	9800-75	Flag Connector	19	9821-AA	Pump & Motor Assembly (3/4 HP Motor)		9000-27	Adaptor for 9806 (Not Shown)
2	9800-76	Ground Connector	20	9000-05	Close Nipple Tube	<b>Available for All Models</b>		
3	9700-04	Pressure Gauge	21	9000-04	Brass Tee	9700-11	9700-11	Pump Flushing Liquid (Not Shown)
4	9700-02	Exhaust Filter Element	22	9700-01	Inlet Filter Element	9700-65	9700-65	Universal Inlet Hose Kit (complete)
5	9512-02A	Cord	23	9700-08	Inlet Filter Assembly (w/Filter)	<b>Model A-300 Service Kit (Not Shown)</b>		
6	9806AA	Pump & Motor Assembly (1/4 HP Motor)	24	9000-06	Nipple Tube	9700-40	9700-40	Service Kit Includes; Vanes (set of 4), Filters, and Flushing Liquid
7	9700-07	Inlet Filter	25	9000-09	Galvanized Cross	9700-41S	9700-41S	Vanes (set of 4)
8	9000-25	Hex Nipple	26	9000-07	Chrome Hex Bushing	<b>Model A-750, A-750TE Service Kit (Not Shown)</b>		
9	9700-79	Pressure Relief Valve	27	9700-09	Exhaust Filter Assembly (w/Filter)	9700-50	9700-50	Service Kit Includes; Vanes (set of 4), Filters, and Flushing Liquid
10	9000-26	Brass Tee	28	9700-05	Carry Handle	9700-51S	9700-51S	Vanes (set of 4)
11	9700-10	Exhaust Filter Ass. (w/Filter)	29	9700-15C	Exhaust Filter Canister			
12	9000-27	Reducer (Optional)	30		Coupler (See Page 49)			
13	9700-03	Pressure Relief Valve	31	9800-62	Flat Washer			
14	9512-02	Cord w/Switch	<b>Universal Inlet Hose Kit</b>					
15	9800-68	Machine Screw	32	9700-60B	Reducer Nipple			