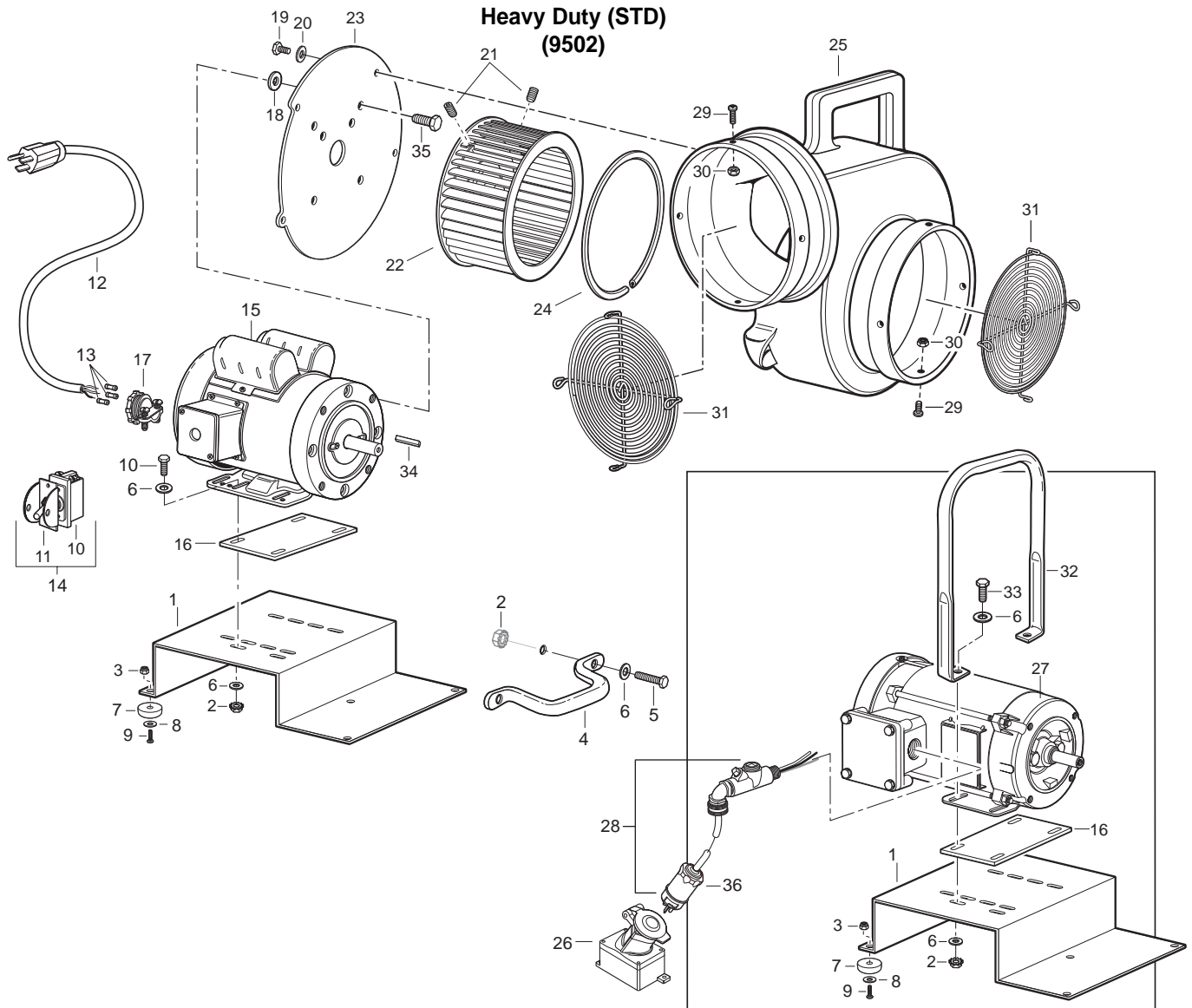


HEAVY DUTY BLOWER (9502) EXPLOSION PROOF BLOWER (9503)



Explosion Proof (EX) - (9503)

Key Part #	Description	Key Part #	Description	Key Part #	Description
9502	Heavy Duty Blower (STD)	14	9865-13A Toggle Switch Assembly	28	9503-20 Cord w/Plug, 20A/125V (EX)
9503	Explosion Proof Blower (EX)	15	9501-06 1.5 HP Motor	29	9800-66 Machine Screw
1	9512-03 Base	16	9515-04 Motor Mount Pad	30	9500-69 Lock Nut
2	9500-68 K-Nut	17	9506-04 Cord Strain Relief	31	9534-02 Fan Guard
3	9800-64 Lock Nut, Nylon	18	9500-61 Flat Washer	32	9700-05 Carrying Handle
4	9501-09 Base Handle	19	9500-74 Bolt	33	9500-82 Tap Bolt
5	9500-82 Tap Bolt	20	9500-72 Lock Washer	34	9505-09A Shaft Key
6	9500-64 Flat Washer	21	9500-91 Socket Set Screw	35	9500-77 Machine Screw
7	9505-06 Feet	22	9501-02 Fan Wheel, Steel (STD)	36	9503-02 Plug, 20A/125V (EX)
8	9800-62 Flat Washer		9501-03 Fan Wheel, Aluminum (EX)		
9	9500-75 Machine Screw	23	9504-03A Mounting Plate		
10	9865-13 Toggle Switch	24	9504-03B Housing Gasket		
11	9865-14 Plate	25	9504-03RM Blower Housing (sold separately)		
12	9831-75 Electric Cord	26	9503-03 Receptacle (EX) (sold separately)		
13	9513-14 Butt End Connector	27	9503-01 .75 HP Motor		