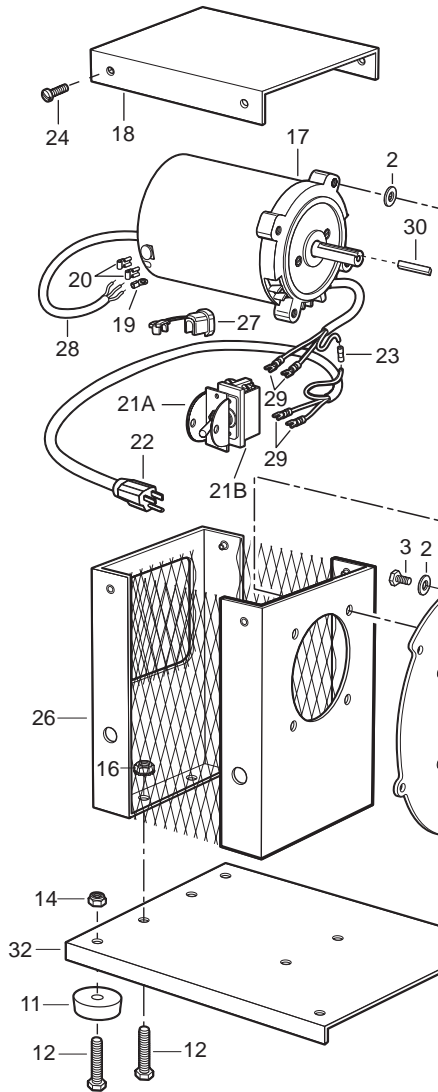
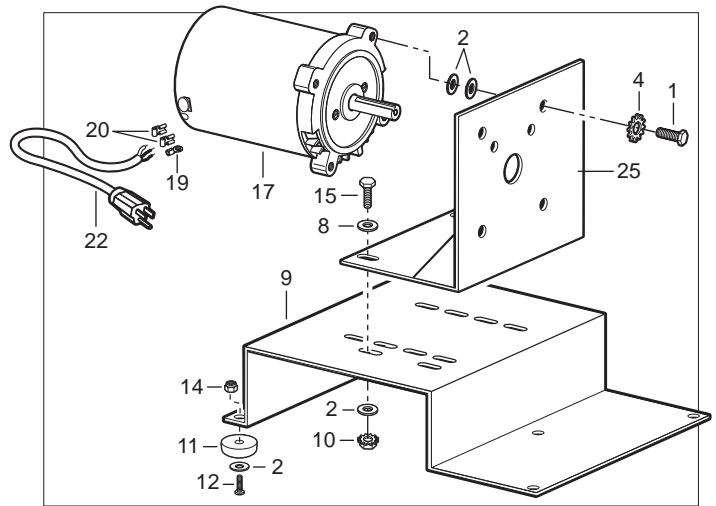


# STANDARD BLOWER (9504), ECONOMY BLOWER (9512) HIGH OUTPUT BLOWER (9504-50)

**Standard Blower (9504)  
High Output Blower (9504-50)**



**Economy Blower (9512)**



Key	Part #	Description	Key	Part #	Description	Key	Part #	Description
	<b>9504</b>	<b>Standard Blower</b>	12	9500-79	Tap Bolt	24	9800-66	Machine Screw
	<b>9512</b>	<b>Economy Blower</b>	13	9500-69	Lock Nut	25	9505-05	Motor Bracket
	<b>9504-50</b>	<b>High Output Blower</b>	14	9800-64	Lock Nut, Nylon	26	9500-93	Cage (Blower)
1	9500-80	Tap Bolt	15	9500-62	Bolt	27	9504-10	Strain Relief
2	9500-64	Flat Washer	16	9500-67	K-Nut	28	9500-99	Motor Cord
3	9500-74	Bolt	17	9504-04	3/4 HP Motor (High Output)	29	9500-94	Blue Spade
4	9500-70	Lock Washer		9512-01	1/3 HP Motor (Standard, Economy)	30	9505-09A	Shaft Key
5	9504-03B	Gasket, Cent. Housing	18	9500-97	Cover, Cage	31	9501-02	Fan Wheel, Steel
6	9504-03RM	Blower Housing	19	9800-76	Ground Connector	32	9500-92	Blower Base Plate
7	9504-03A	Mounting Plate	20	9800-75	Flag Connector	33	9534-02	Fan Guard
8	9500-64	Flat Washer	21A	9865-13	Toggle Switch	34	9500-91	Socket Set Screw
9	9512-03	Base	21B	9865-14	Switch Guard			
10	9500-68	K-Nut	22	9512-02A	Cord			
11	9505-06	Feet	23	9500-96	Butt Connector (for 9504 only)			