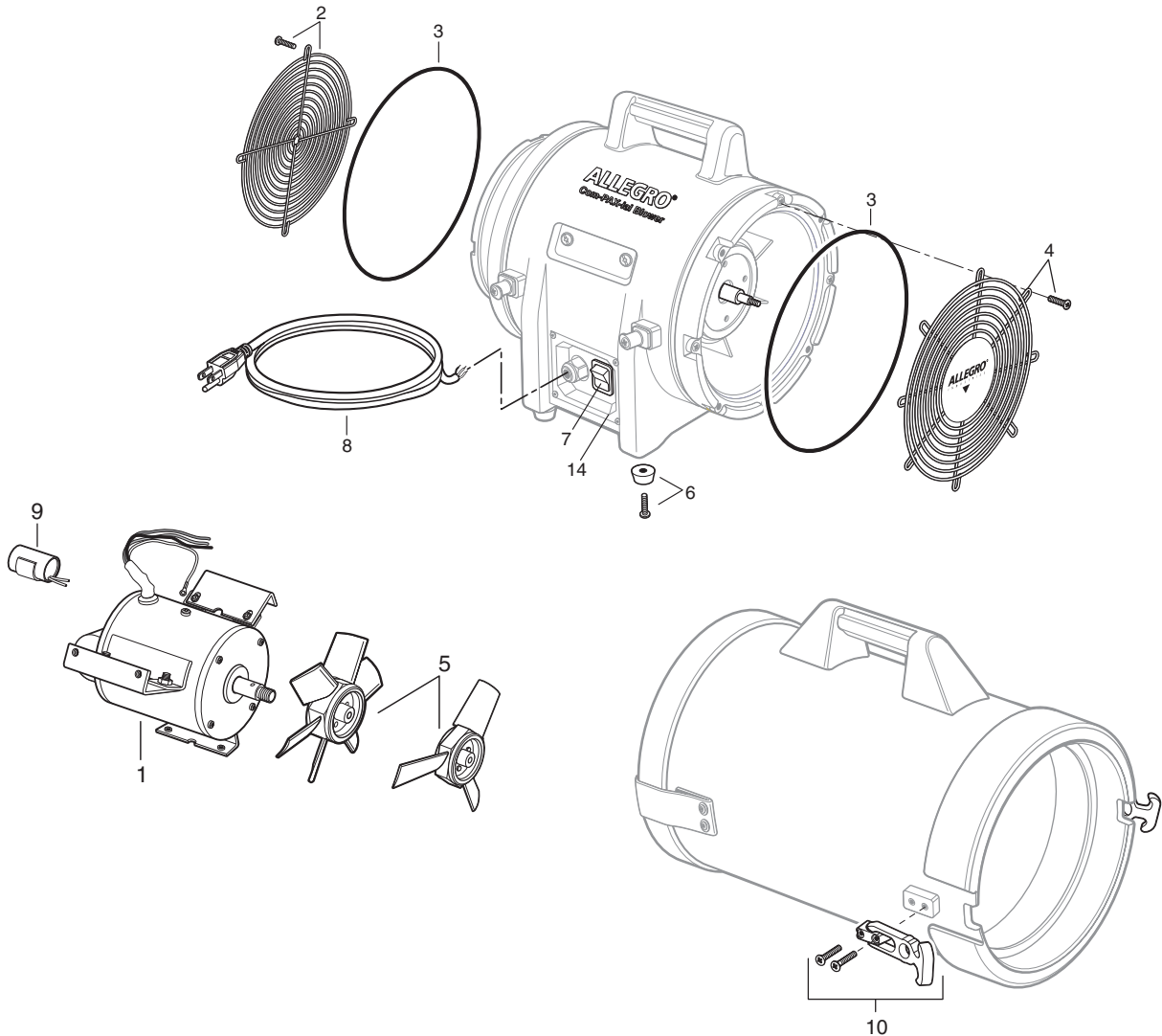


12" PLASTIC AXIAL BLOWERS

AC - 9543, 9543-15, 9543-25

DC - 9546, 9546-15, 9546-25

EX - 9548, 9548-15



Key Part #	Description	Key Part #	Description	Key Part #	Description
9543	12" Plastic Axial AC Blower	2	9543-09 Fan Guard w/Screws	13	9534-07 Compaxial Strain Relief
9543-15	12" Plastic Axial AC Blower w/Canister & 15' Ducting	3	9543-05 Canister O-Ring	14	9543-12 Switch Plate w/Screws
9543-25	12" Plastic Axial AC Blower w/Canister & 25' Ducting	4	9543-07 Fan Grill w/Screws	15	9543-12P Rectangular Hole Plug
9546	12" Plastic Axial DC Blower	5	9543-10 Fan, 6 Blade	16	9543-14 Blower Chassis Kit, 12"
9546-15	12" Plastic Axial DC Blower w/Canister & 15' Ducting	5	9509-06 Fan, 3 Blade	17	9548-55DC Motor Mount
9546-25	12" Plastic Axial DC Blower w/Canister & 25' Ducting	5	9509-06EX Fan, 3 Blade, EX	18	9503-02 Plug, 20A/125V
9548	12" Plastic Axial EX Blower	6	9543-06 Feet Kit, Includes 4 Feet & 4 Screws (not sold separately)	19	9543-12B Strain Relief
9548-15	12" Plastic Axial EX Blower w/Canister & 15' Ducting	7	9543-13 Switch		
1	9543-03 Motor	8	9543-04 Electric Cord		
	9506-10 Motor DC, 12 VDC		9506-02 Portable Cord, 12/2		
	9513-03 Motor, EX	9	9543-03C Capacitor		
		10	9543-08 Canister Latch Kit		
		11	9506-03 Clamps, Battery 50 Amp		
		12	9506-11 Fuse, 30 Amp, DC Motor		