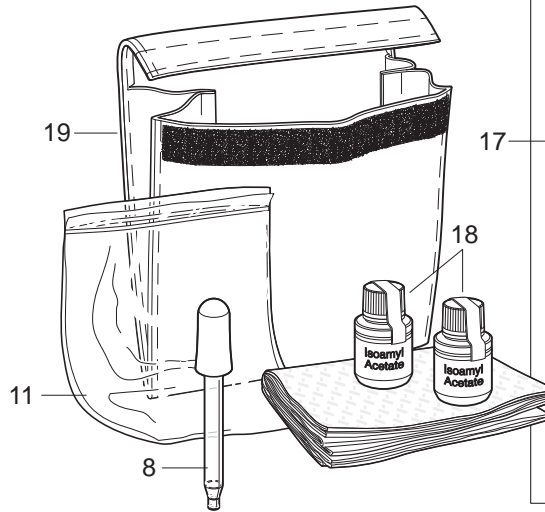
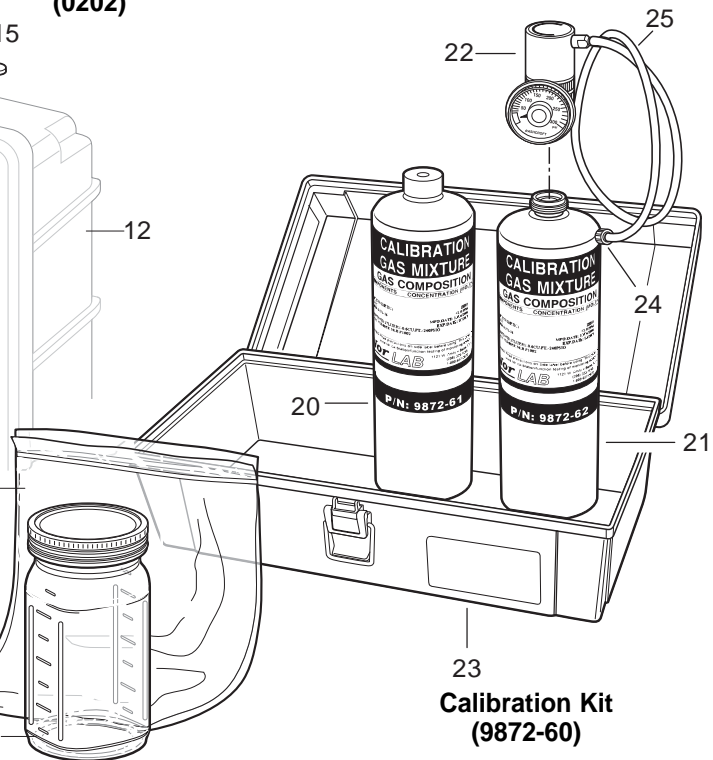
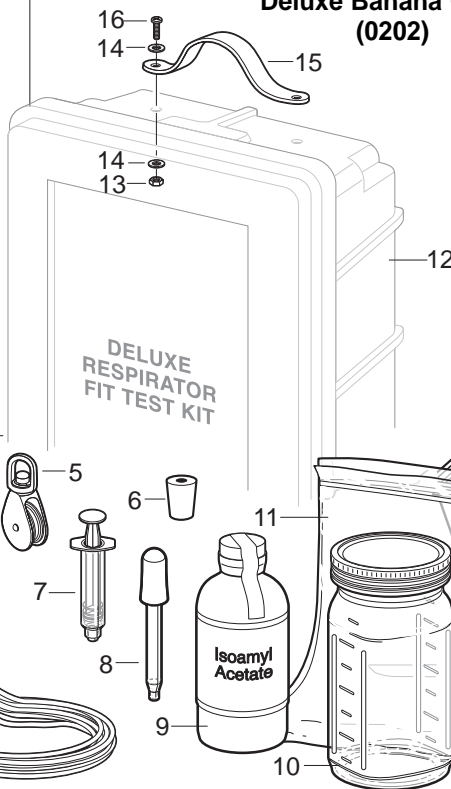
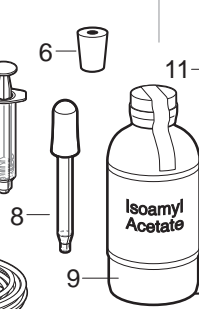
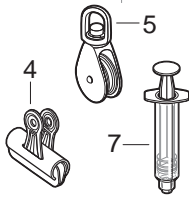
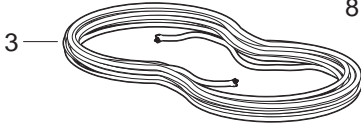
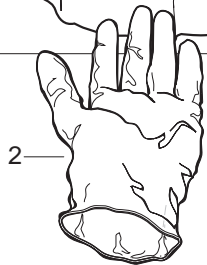
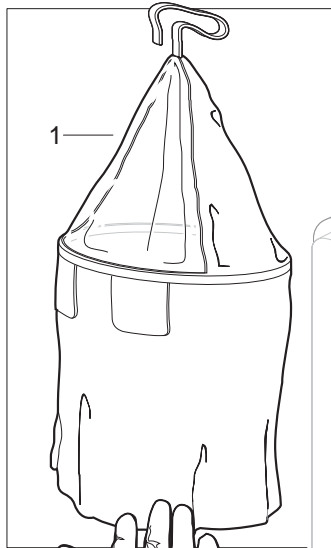


# STANDARD BANANA OIL KIT (0203) DELUXE BANANA OIL KIT (0202) CALIBRATION KIT (9872-60)

**Standard Banana Oil Kit  
(0203)**



**Deluxe Banana Oil Kit  
(0202)**



Key	Part #	Description	Key	Part #	Description	Key	Part #	Description
	<b>0203</b>	<b>Standard Banana Oil Kit</b>	8	0202C	Pipette	18	0203-01	Banana Oil (1 oz)
	<b>0202</b>	<b>Deluxe Banana Oil Kit</b>	9	0202-01	Banana oil (8oz)	19	2010	Storage Bag
	<b>9872-60</b>	<b>Calibration Kit</b>	10	0202A	Jar (1 quart)	20	9872-61	Calibration Span Gas
1	2060	Fit Test Tent	11	0202K	Plastic Bag	21	9872-62	Calibration Zero Gas
2	0202B	Vinyl Gloves	12	4500RX	Case	22	9872-67	Regulator
3	0202F	Cord, Nylon	13	9500-69	Nylon Lock Nut	23	9272-68	Carry Case
4	0202H	Clip	14	9500-63	Flat Washer	24	9872-14B	Luer
5	0202E	Pulley	15	9513-07	Handle	25	9872-14A	Tubing
6	0202G	Stopper	16	9800-66	Machine Screw			
7	0202D	Syringe	17	0203B	Plastic Tent Enclosure			